

Carbon Monoxide Transmitter (Current 4-20mA output) Instruction Manual

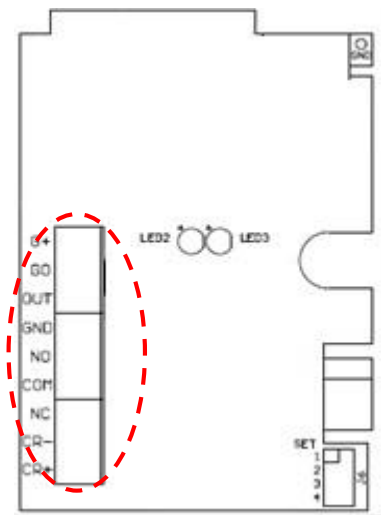
Thanks for choosing our product! Please read carefully and follow this instruction before using!

Introductions

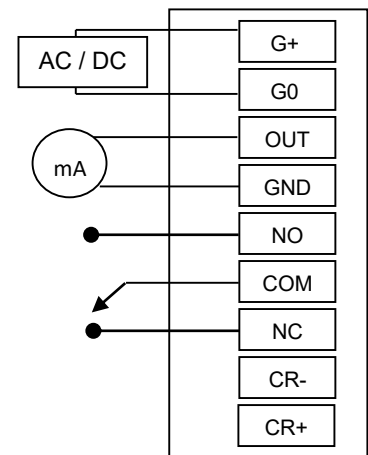
CO is a colorless, odorless and tasteless gas. It can bond to our Hb as COHb and circulate in human body. When we breathe air containing CO, it is absorbed through the bloodstream where it displaces oxygen and bonds with the hemoglobin in your blood. CO has a greater affinity to hemoglobin than oxygen; CO bonds to hemoglobin about 200-300 times better than oxygen. Without oxygen, vital organs, your heart and brain become deprived and will begin to deteriorate. To compensate, your heart rate increases, breathing may become difficult and in the most serious circumstances cardiac trauma, brain damage, coma and even death will result.

We are actually in a circumstance full of uncertain risk. AVC-110 series CO transmitter can be applied in kitchen, garage, basement parking, boiler room and etc., to provide a safe way and to secure our lives against any CO threat.

Wiring



1	G+	DC 12 ~ 36V AC 24V (50/60Hz)
2	G0	System GND
3	OUT	4 ~ 20mA
4	GND	Signal GND
5	NO	Normally opened
6	COM	Com
7	NC	Normally closed
8	CR-	N/A
9	CR+	N/A

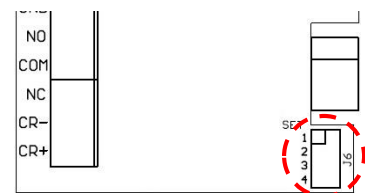


【Figure 1】

CO Measuring range setting

Define CO measuring range with the jumper in SET2 & SET3

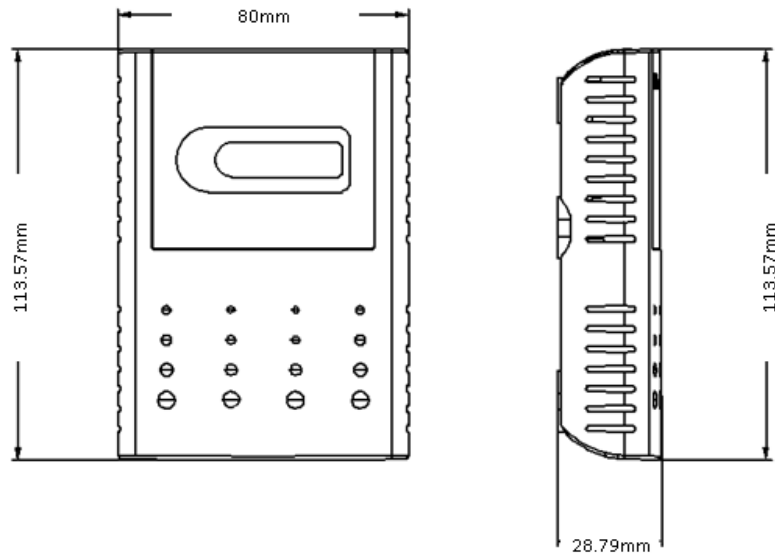
	SET2	SET3
0~100 ppm(default)		
0~250 ppm		
0~500 ppm		



Relay output (CO alarm setting point)

- The default alarm relay output is at 50ppm with hysteresis of 10ppm.
- When the CO concentration reaches the alarm setting point, LED indicator will be switched on.

Dimensions

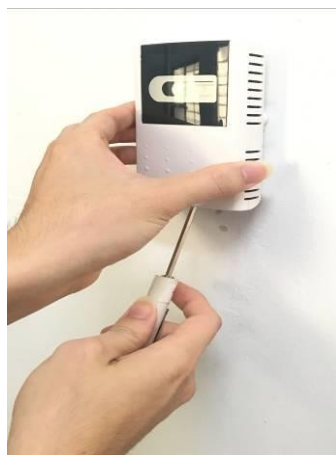


Installation

1. Please check if the transmitter, accessory pack and instruction manual are included in the package.
2. Please decide right position for installation.
****Notice: As carbon monoxide is slightly less dense than air, it is recommended to install the unit around 30cm from ceiling, in order to get faster response.**
3. Press tenon on bottom of the housing with a screw driver to remove the upper cover.
(Please refer to the Figure 2 to Figure 4).



【Figure 2】



【Figure 3】



【Figure 4】

4. Please refer Figure 1 for wiring.
****Notice: Please remove power from the unit before wiring, in order to avoid any damage or hazard.**
5. Fix the base on the wall and then replace the upper cover.

Notice for installation

1. Please install the transmitter near the ceiling and the height is around eye level.
2. Do not mount the transmitter near doors, opening windows, fans, air outlet or other known air disturbances.
3. Please avoid the waterish area
4. Do not install the transmitter on an unstable or shaking surface.
5. Please do not install the transmitter in areas with rapid temperature changes or with extreme ambient conditions.