

AVC-110 Carbon Monoxide Transmitter (0-10V output) Instruction

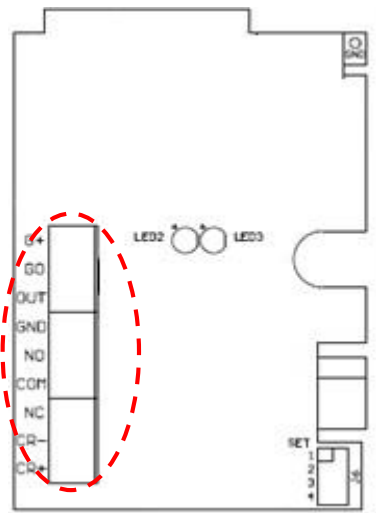
Thanks for choosing our product! Please read carefully and follow this instruction before using!

Introductions

CO is a colorless, odorless and tasteless gas. It can bond to our Hb as COHb and circuit in human body. When we breathe air containing CO, it is absorbed through the bloodstream where it displaces oxygen and bonds with the hemoglobin in your blood. CO has a greater affinity to hemoglobin than oxygen; CO bonds to hemoglobin about 200-300 times better than oxygen. Without oxygen, vital organs, your heart and brain become deprived and will begin to deteriorate. To compensate, your heart rate increases, breathing may become difficult and in the most serious circumstances cardiac trauma, brain damage, coma and even death will result.

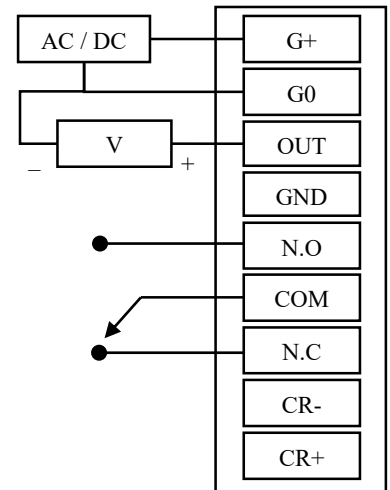
We are actually in a circumstance full of uncertain risk. AVC-110 series CO transmitter can be applied in kitchen, garage, basement parking, boiler room and etc., to provide a safe way and to secure our lives against any CO threat.

Wiring



1.	G+	DC 12 ~ 36V AC 24V (50/60Hz)
2.	G0	System GND
3.	OUT	0 ~ 10V
4.	GND	System GND
5.	N.O	Normally opened
6.	COM	Com
7.	N.C	Normally closed
8.	CR-	N/A
9.	CR+	N/A

Connection

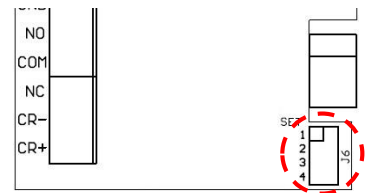


【Figure 1】

Measuring range setting

Define CO measuring range with the jumper in SET1 & SET2 & SET3

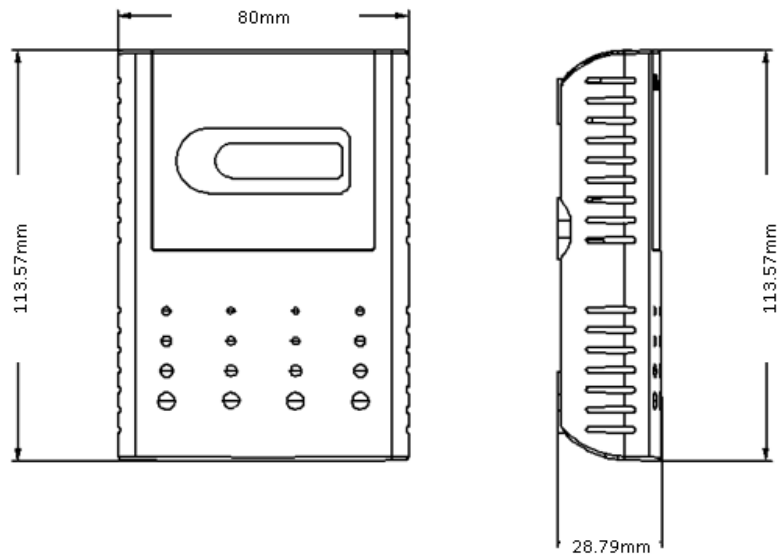
	SET 1	SET 2	SET 3
0~100 ppm(Default)	<input checked="" type="checkbox"/> <input checked="" type="checkbox"/>	<input checked="" type="checkbox"/> <input checked="" type="checkbox"/>	<input checked="" type="checkbox"/> <input checked="" type="checkbox"/>
0~250 ppm	<input checked="" type="checkbox"/> <input checked="" type="checkbox"/>	<input checked="" type="checkbox"/> <input checked="" type="checkbox"/>	<input type="checkbox"/> <input checked="" type="checkbox"/>
0~500 ppm	<input checked="" type="checkbox"/> <input checked="" type="checkbox"/>	<input type="checkbox"/> <input checked="" type="checkbox"/>	<input type="checkbox"/> <input checked="" type="checkbox"/>



Relay output (CO alarm setting point)

- The default alarm relay output is at 50ppm with hysteresis of 10ppm.
- When the CO concentration reaches the alarm setting point, LED indicator will be switched on.

Dimensions

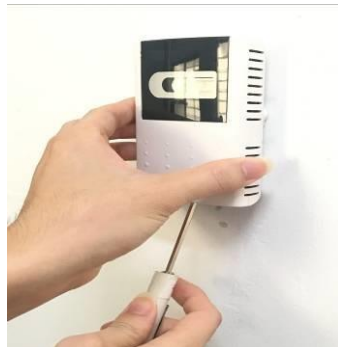


Installation

1. Please check if the transmitter, accessory pack and instruction manual are included in the package.
2. Please decide right position for installation.
****Notice: As carbon monoxide is slightly less dense than air, it is recommended to install the unit around 30cm from ceiling, in order to get faster response.**
3. Press tenon on bottom of the housing with a screw driver to remove the upper cover.
(Please refer to the Figure 2 to Figure 4).



【Figure 2】



【Figure 3】



【Figure 4】

4. Please refer Figure 1 for wiring.
****Notice: Please remove power from the unit before wiring, in order to avoid any damage or hazard.**
5. Fix the base on the wall and then replace the upper cover.

Notice for installation

1. Please install the transmitter near the ceiling and the height is around eye level.
2. Please avoid the location near fans, exhaust fan, air conditioner vent or elevator entrance.
3. Please avoid the waterish area or direct sunlight.
4. Do not install the transmitter on an unstable or shaking surface.
5. Do not install the transmitter in areas with rapid temperature changes or with extreme ambient conditions.
6. Please avoid heat source or the device exhausting gas.