

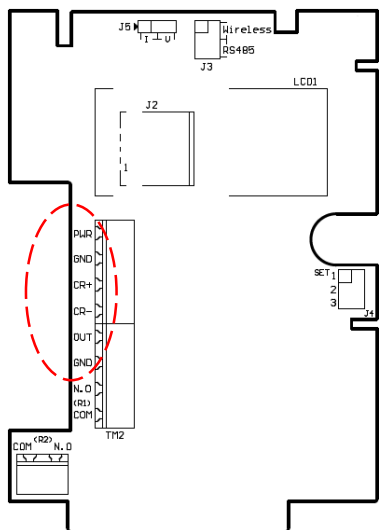
AVC-510 PM10 Transmitter (Current / Voltage output) Instruction Manual

Thanks for choosing our product! Please read carefully and follow this instruction before using!

Introduction

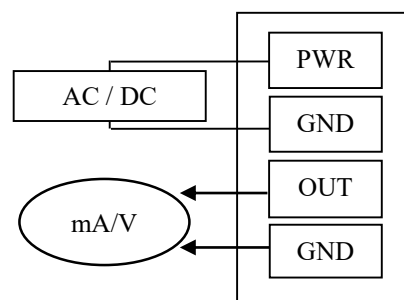
AVC-510 PM10 transmitter is applied for indoor air quality monitoring and provides monitoring data as reference for improving air quality. It can accurately measure particle matter (PM) and send detail data to monitoring center or to HVAC system. The immediate action can be to trigger ventilation system or to activate air purifier to ensure better indoor air quality.

Wiring



1	PWR	DC 12 ~ 36V AC 24V(50/60Hz)
2	GND	System GND
3	N/A	N/A
4	N/A	N/A
5	OUT	mA/V output
6	GND	Signal GND

Connection



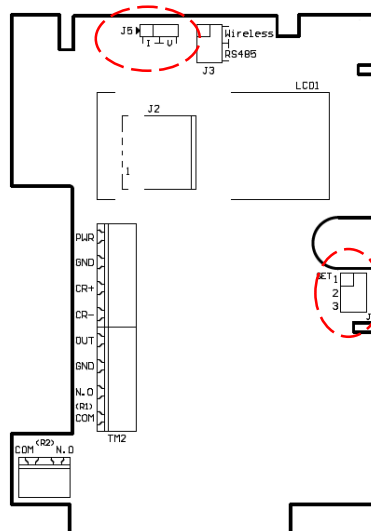
【Figure 1】

Notice: Please remove power from the unit before wiring, in order to avoid any damage or hazard.

Output setting

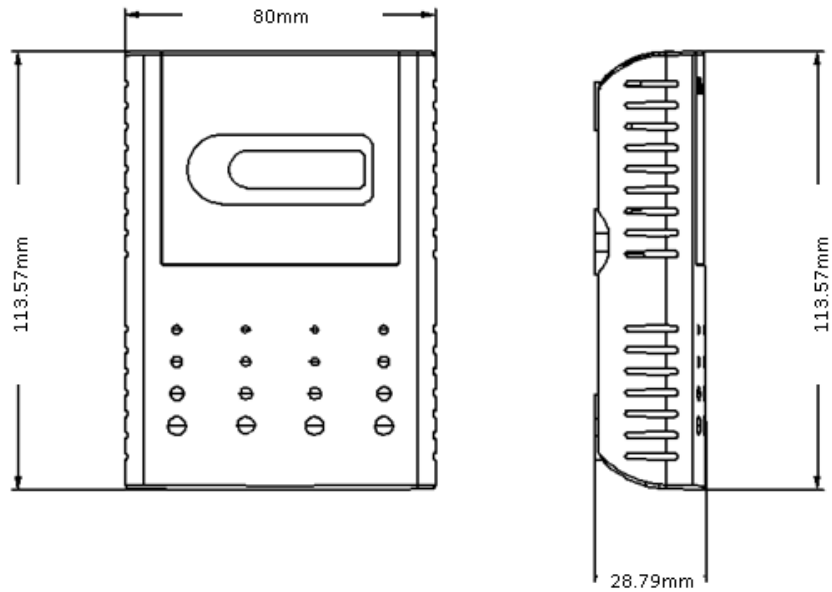
J4-SET1 and J5 are used to select outputs mode.

OUTPUT	J4-SET1	J5									
4~20mA (Default)	<table border="1"> <tr><td>1</td><td>■</td><td>●</td></tr> <tr><td>2</td><td>●</td><td>●</td></tr> <tr><td>3</td><td>●</td><td>●</td></tr> </table>	1	■	●	2	●	●	3	●	●	
1	■	●									
2	●	●									
3	●	●									
0~20mA	<table border="1"> <tr><td>1</td><td>■</td><td>●</td></tr> <tr><td>2</td><td>●</td><td>●</td></tr> <tr><td>3</td><td>●</td><td>●</td></tr> </table>	1	■	●	2	●	●	3	●	●	
1	■	●									
2	●	●									
3	●	●									
2~10V	<table border="1"> <tr><td>1</td><td>■</td><td>●</td></tr> <tr><td>2</td><td>●</td><td>●</td></tr> <tr><td>3</td><td>●</td><td>●</td></tr> </table>	1	■	●	2	●	●	3	●	●	
1	■	●									
2	●	●									
3	●	●									
0~10V	<table border="1"> <tr><td>1</td><td>■</td><td>●</td></tr> <tr><td>2</td><td>●</td><td>●</td></tr> <tr><td>3</td><td>●</td><td>●</td></tr> </table>	1	■	●	2	●	●	3	●	●	
1	■	●									
2	●	●									
3	●	●									

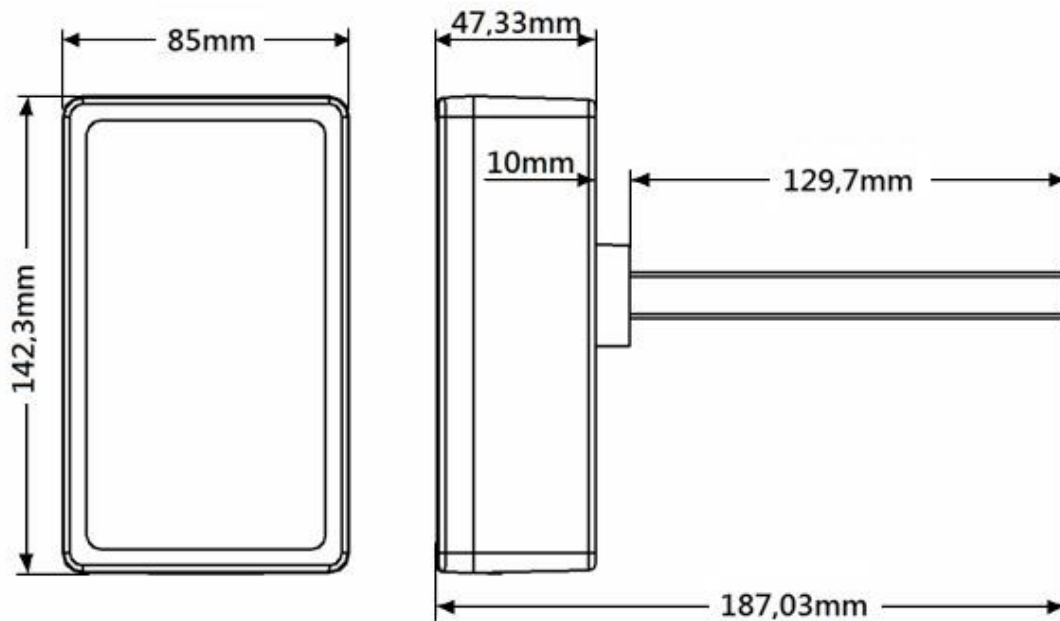


Dimensions

Wall mount Type



Duct mount Type



Notice for installation

1. Please install the transmitter around 1~2m above floor level for better detection.
2. Please avoid the location near fans, exhaust fan, air conditioner vent or elevator entrance.
3. Please avoid the waterish area or direct sunlight.
4. Do not install the transmitter on an unstable or shaking surface.
5. Do not install the transmitter in areas with rapid temperature changes or with extreme ambient conditions.
6. Please avoid heat source or the device exhausting gas.

Installation

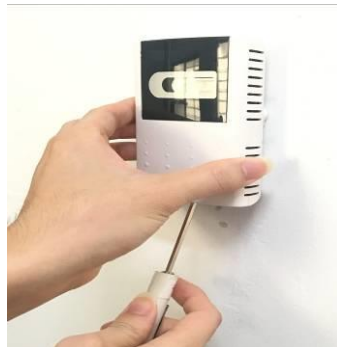
1. Please check if the transmitter, accessory pack and instruction manual are included in the package.
2. Please decide right position for installation.

Wall mount Type

- Press tenon on top of the housing with a screw driver to remove the upper cover. (Please refer to the Figure 2 to Figure 4).



【Figure 2】



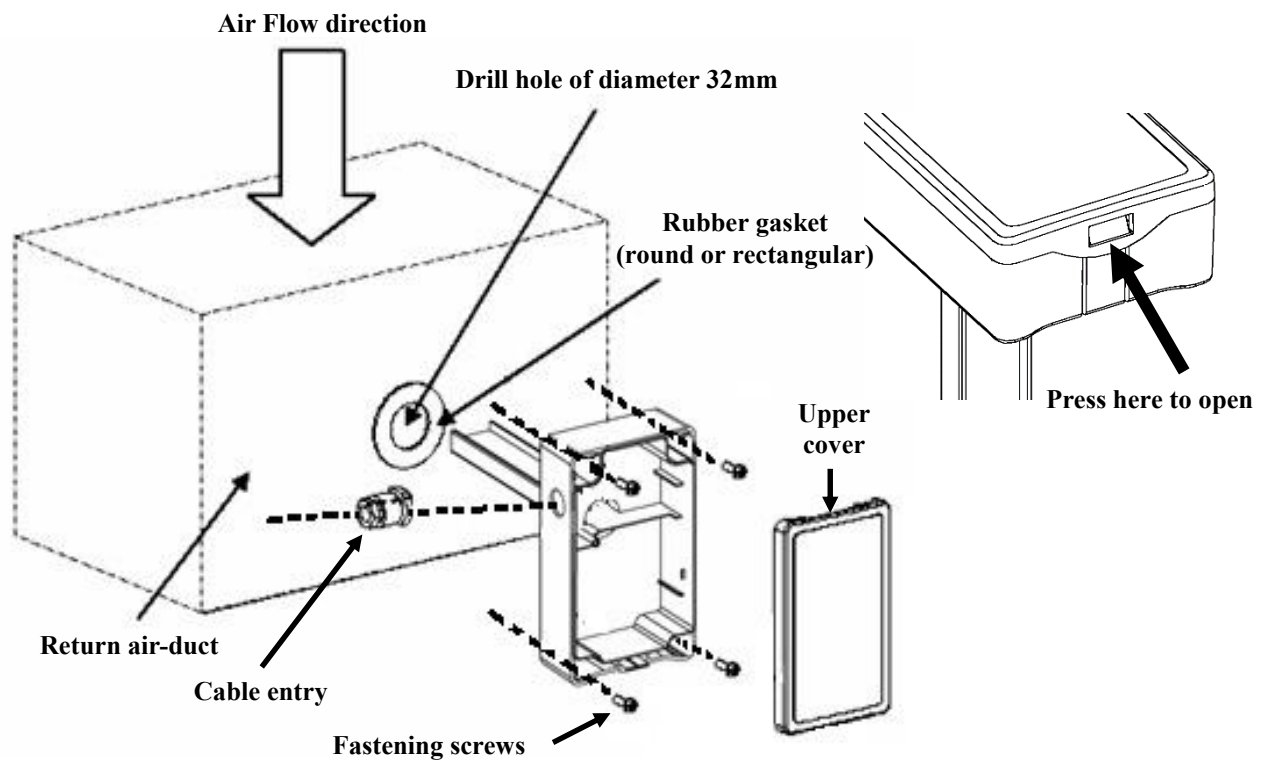
【Figure 3】



【Figure 4】

Duct mount Type

- Press tenon on the bottom of the housing to remove the upper cover. (Please refer to the Figure 5)



【Figure 5】