

AVC-110 Series

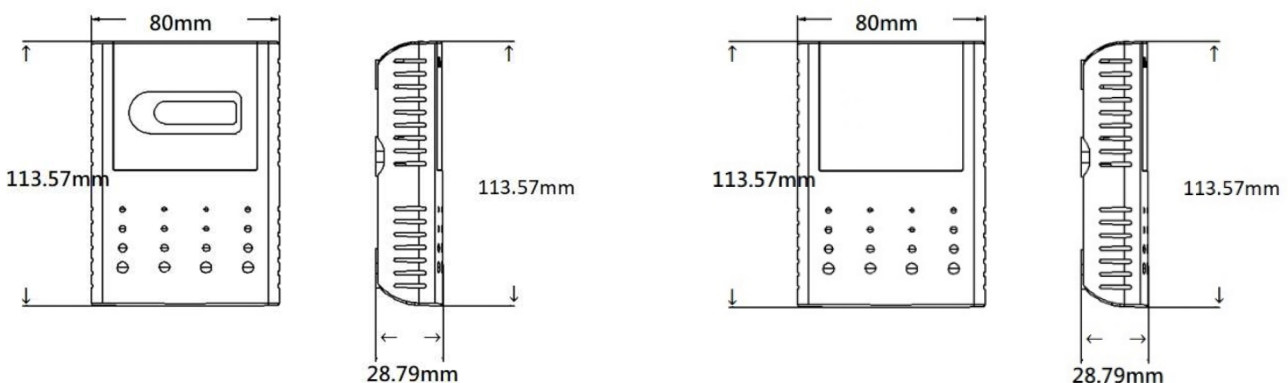
■ Features

Carbon monoxide (CO) is a colorless, odorless, and tasteless gas that is slightly less dense than air. It is toxic to humans and animals when encountered in higher concentrations, although it is also produced in normal animal metabolism in low quantities, and is thought to have some normal biological functions.

AVC-110 series is designed for monitoring the Carbon monoxide concentration in order to avoid poor ventilation. Easy installation and the recommended height of installation is 1~2M above the floor level. In addition to provide a value display(optional), AVC-110 provides different signal output options and one relay output for monitoring, analyzing and alarm. Being used with ventilation system, it can efficiently control and ameliorate air quality. Perfectly for basement parking, garage, residential apartment, offices or factories.



■ Dimensions



■ Specifications

Model	AVC-110
Measuring method	Chemical-electro
Response time	$\tau_{90} \leq 30$ sec.
Accuracy (at 25°C)	$\pm 5\%$ for 0 ~ 100ppm; $\pm 10\%$ for 100 ~ 500ppm
Resolution	1ppm
Repeatability	Reading $\pm 2\%$
Drift	Zero: $< \pm 5$ ppm; Span: $\leq 5\%$ / year
Measuring range selection ⁽¹⁾	0 ~ 100ppm / 0 ~ 250ppm / 0 ~ 500ppm
Coverage area	About 465m ² ⁽²⁾
Signal output	DC 4~20mA / DC 0~10V, RS-485 (Modbus RTU) LoRa (Peer to Peer), radio frequency band: 862 ~ 932 MHz ⁽³⁾
Alarm output	Relay output N.O,N.C (2A / 30V DC ; 0.5A / 125V AC); Relay setting 50 ppm
Linearity error	< 10 ppm (at -20°C ~ 50°C)
Calibration interval (recommended)	12 months
Sensor lifespan	4 years ⁽⁴⁾ typical
Pressure range	1 atm $\pm 10\%$
Display (optional)	LCD display
Environmental	-10°C ~ 50°C; 15 ~ 90%RH (non-condensation)
Storage	-10°C ~ 50°C (14 ~ 122°F)
Warm-up time	≤ 1.5 min. (Full scale $\cdot \leq 15$ minutes)
Power supply	DC 12 ~ 36V, AC 24V (50/60Hz)
Power consumption	4~20mA, 0~10V, RS485: 0.2W (Max.); LoRa / RS485: 1.2W (Max.)
Installation	Wall-mount
Case material	Fireproof ABS
IP rating	IP30 (No protection from liquids)
Certifications	CE, FCC

Note:

- (1) For special measurement range of 0~1000ppm, please contact our sales representative.
- (2) The coverage area should be considered individually to account for the particular layout and any varying or enclosed spaces. It is recommended to install at least one device in each room.
- (3) The frequency channels will be differed by country and this frequency can be configured accordingly from 862 to 932Hz.
- (4) The lifespan of sensor might vary depending on environmental conditions. For example, high ambient temperature will shorten its lifespan.

■ Ordering information

AVC-110□□□-M

Code 1	Installation
W	Wall mount

Code 2	Output
A	4-20mA
2	0-10V
4	RS-485
5	4-20mA / 0-10V
6	LoRa / RS485

Code 3	Display
X	No
D	Yes