

WFN

Water cooled heat pump reversible water side

Cooling capacity 182 ÷ 2349 kW
Heating capacity 205 ÷ 2610 kW



- Production of hot water up to 55°C.
- Production of chilled water down to -8°C.



DESCRIPTION

Units for internal installation offering chilled/hot water, designed to mitigate air conditioning needs in residential/commercial complexes or industrial applications.

Compact and flexible, perfect alignment to the requested load thanks to an accurate control algorithm.

The base, the structure and the panels are made of galvanized steel treated with polyester paint RAL 9003.

VERSIONS

° Standard

A High efficiency

FEATURES

Operating field

Production of chilled water up to 16 °C of water produced on the evaporator side, but also suitable for use in heat pump mode with condenser water temperature up to 55 °C.

With option Z (double electronic expansion valve) the unit is capable to produce chilled water temperature from -8°C up to 10°C.

Mono, bi-tri circuit unit

Unit with 2-3 refrigerant circuits designed to provide maximum efficiency at full load, ensuring high efficiency at partial loads also and ensuring continuity in case one of the circuits stops.

They are equipped with screw compressors and system and source side shell and tube heat exchangers with R134a refrigerant.

The R513A (XP10) refrigerant with this type of gas is also available on the configurator. On average, the units have a yield > 2% and an EER < 3% compared to the same size with R134a.

For further details refer to the technical documentation or to the Magellano selection program.

Electronic expansion valve

The possibility to use electronic expansion valve, offers significant benefits, especially when the chiller is working with partial loads, increasing the energy efficiency of the unit. Standard for all sizes.

CONTROL PCO₅

Microprocessor adjustment, with keyboard and LCD display, for easy access on the unit is a menu available in several languages.

Adjustment includes complete management of the alarms and their log.

Possibility to control two units in a Master-Slave configuration

The presence of a programmable timer allows functioning time periods and a possible second set-point to be set.

The temperature control takes place with the integral proportional logic, based on the water output temperature.

ACCESSORIES

AER485P1: RS-485 interface for supervision systems with MODBUS protocol.

AER485P1 x n° 2: RS-485 interface for supervision systems with MODBUS protocol.

AER485P1 x n° 3: RS-485 interface for supervision systems with MODBUS protocol.

AERBACP: Ethernet communication Interface for protocols Bacnet/IP, Modbus TCP/IP, SNMP

AERNET: The device allows the control, the management and the remote monitoring of a Chiller with a PC, smartphone or tablet using Cloud connection. AERNET works as Master while every unit connected is configured as Slave (max. 6 unit); also, with a simple click is possible to save a log file with all the connected unit datas in the personal terminal for post analysis.

MULTICHILLER_EVO: Control, switch-on and switch-off system of the single chillers where multiple units are installed in parallel, always ensuring constant flow rate to the evaporators.

PGD1: Allows you to control the unit at a distance.

AVX: Spring anti-vibration supports.

FACTORY FITTED ACCESSORIES

RIF: Power factor correction. Connected in parallel to the motor allowing about 10% reduction of input current.

ISG: Insulation kit for condensers. Mandatory accessory for machine functioning in heat pump; standard in units with desuperheater or with heat recovery.

ACCESSORIES COMPATIBILITY

Model	Ver	0701	0801	0901	1101	1251	1401	1601	1801	2101	2401	2502	2801	2802	3201	3202	3602	4202	4802	5602	6402	6703	7203	8403	9603	
AER48SP1	A
AER48SP1 x n° 2 (1)	A
AER48SP1 x n° 3 (1)	°A
AERBACP	°
AERBACP	A
AERBACP	°
AERNET	°
AERNET	A
AERNET	°
MULTICHILLER_EVO	°
MULTICHILLER_EVO	A
MULTICHILLER_EVO	°
PGD1	°
PGD1	A

(1) x Indicates the quantity of accessories to match.

Antivibration

Version	Set-up	Heat recovery	0701	0801	0901	1101	1251	1401	1601	1801	2101	2401	2502	2801
°	°K,L	°D,T	-	-	-	-	-	-	-	-	-	-	-	-
A	°	°	AVX680	AVX680	AVX680	AVX681	AVX681	AVX681	AVX682	AVX682	AVX683	AVX683	AVX673	AVX683
A	K	°	AVX680	AVX680	AVX680	AVX681	AVX681	AVX688	AVX683	AVX683	AVX683	AVX683	Contact us.	AVX686
A	L	°	AVX680	AVX680	AVX680	AVX681	AVX681	AVX681	AVX682	AVX685	AVX683	AVX683	AVX683	AVX683
A	°L	D,T	-	-	-	-	-	-	-	-	-	-	-	AVX674
A	K	D,T	-	-	-	-	-	-	-	-	-	-	-	Contact us.

Version	Set-up	Heat recovery	2802	3201	3202	3602	4202	4802	5602	6402	6703	7203	8403	9603
°	°K,L	°D,T	-	-	-	-	-	-	-	-	Contact us.	Contact us.	Contact us.	Contact us.
A	°	°	AVX674	AVX683	AVX679	AVX679	AVX678	AVX678	AVX678	AVX678	Contact us.	Contact us.	Contact us.	Contact us.
A	K	°	Contact us.	AVX686	Contact us.	Contact us.	Contact us.	Contact us.	Contact us.	Contact us.	Contact us.	Contact us.	Contact us.	Contact us.
A	L	°	AVX674	AVX683	AVX678	AVX678	AVX678	AVX678	AVX678	AVX678	Contact us.	Contact us.	Contact us.	Contact us.
A	°	D	AVX674	-	AVX679	AVX679	AVX678	AVX678	AVX678	AVX678	Contact us.	Contact us.	Contact us.	Contact us.
A	°	T	AVX674	-	AVX678	AVX678	AVX678	AVX678	AVX678	AVX678	Contact us.	Contact us.	Contact us.	Contact us.
A	L	D	AVX674	-	AVX678	AVX678	AVX678	AVX678	AVX678	AVX678	Contact us.	Contact us.	Contact us.	Contact us.
A	K	D,T	Contact us.	-	Contact us.	Contact us.	Contact us.	Contact us.	Contact us.	Contact us.	Contact us.	Contact us.	Contact us.	Contact us.
A	L	T	AVX674	-	AVX678	AVX678	AVX678	AVX676	AVX676	AVX676	Contact us.	Contact us.	Contact us.	Contact us.

- not available

Power factor correction

Ver	0701	0801	0901	1101	1251	1401	1601	1801	2101	2401	2502	2801
A	RIFWFN0701	RIFWFN0801	RIFWFN0901	RIFWFN1101	RIFWFN1251	RIFWFN1401	RIFWFN1601	RIFWFN1801	RIFWFN2101	RIFWFN2401	RIFWFN2502	RIFWFN2801

A grey background indicates the accessory must be assembled in the factory

Ver	2802	3201	3202	3602	4202	4802	5602	6402	6703	7203	8403	9603
°	-	-	-	-	-	-	-	-	RIFWFN6703	RIFWFN7203	RIFWFN8403	RIFWFN9603
A	RIFWFN2802	RIFWFN3201	RIFWFN3202	RIFWFN3602	RIFWFN4202	RIFWFN4802	RIFWFN5602	RIFWFN6402	RIFWFN6703	RIFWFN7203	RIFWFN8403	RIFWFN9603

A grey background indicates the accessory must be assembled in the factory

Isolating kit

Ver	0701	0801	0901	1101	1251	1401	1601	1801	2101	2401	2502	2801	2802	3201	3202	3602	4202	4802	5602	6402	6703	7203	8403	9603
°	-	-	-	-	-	-	-	-	-	-	-	-	-	-	-	-	-	-	-	-	ISG5	ISG5	ISG6	ISG6
A	ISG10	ISG10	ISG10	ISG10	ISG11	ISG12	ISG13	ISG13	ISG14	ISG14	ISG1	ISG15	ISG1	ISG15	ISG2	ISG2	ISG2	ISG3	ISG3	ISG3	ISG7	ISG8	ISG8	ISG8

A grey background indicates the accessory must be assembled in the factory

CONFIGURATOR

Field	Description
1,2,3	WFN
4,5,6,7	Size 0701, 0801, 0901, 1101, 1251, 1401, 1601, 1801, 2101, 2401, 2502, 2801, 2802, 3201, 3202, 3602, 4202, 4802, 5602, 6402, 6703, 7203, 8403, 9603
8	Model
°	Heat pump reversible on the water side
9	Version
°	Standard (1)
A	High efficiency
10	Operating field
X	Electronic thermostatic expansion valve (2)
Z	Double electronic thermostatic for low temperature (3)
11	Set-up
°	Standard
K	Super silenced
L	Silenced with hood
12	Heat recovery
°	Without heat recovery
D	With desuperheater (4)
T	With total recovery (4)

Field	Description
13	Evaporator
°	Standard
E	Evaporating unit
14	Power supply
°	400V/3/50Hz with fuses on compressors and magnet circuit breakers on auxiliary circuit (5)
2	230V/3/50Hz with fuses on compressors and magnet circuit breakers on auxiliary circuit (5)
4	230V/3/50Hz with magnet circuit breakers on compressors and auxiliary circuit (5)
5	500V/3/50Hz with fuses on compressors and magnet circuit breakers on auxiliary circuit
8	400V/3/50Hz with magnet circuit breakers on compressors and auxiliary circuit
9	500V/3/50Hz with magnet circuit breakers on compressors and auxiliary circuit (5)
15	Refrigerant gas
°	R134a
G	R513A (XP10)

(1) Only for sizes from 6703 to 9603

(2) Water produced from 0 °C ÷ 16 °C

(3) Water produced from -8 °C up to 10 °C

(4) Not available for the condensers "E"

(5) The 230V and 500V power supplies are only available for sizes 0701 - 0801 - 0901 - 1101 - 1251 - 1401 - 2502 - 2802

PERFORMANCE SPECIFICATIONS

WFN 0701 - 3201 - version A - gas R134a

Size		0701	0801	0901	1101	1251	1401	1601	1801	2101	2401	2801	3201
Cooling performance 12 °C / 7 °C (1)													
Cooling capacity	kW	182,1	207,2	232,9	295,9	322,1	370,3	448,8	504,1	579,3	655,9	719,6	788,4
Input power	kW	35,2	40,2	45,6	55,9	60,5	68,8	83,9	95,0	106,4	120,6	136,6	149,7
Cooling total input current	A	63,0	71,0	79,0	91,0	104,0	120,0	138,0	156,0	170,0	200,0	223,0	248,0
EER	W/W	5,18	5,16	5,11	5,30	5,32	5,38	5,35	5,31	5,45	5,44	5,27	5,27
Water flow rate system side	l/h	31347	35658	40063	50900	55401	63688	77171	86683	99596	112777	123733	135542
Pressure drop system side	kPa	40	46	46	40	40	41	28	35	27	37	45	27
Water flow rate source side	l/h	37125	42261	47577	60109	65418	75101	91161	102491	117368	132862	146434	160587
Pressure drop source side	kPa	37	37	34	44	37	33	33	33	33	34	33	32
Heating performance 40 °C / 45 °C (2)													
Heating capacity	kW	204,8	230,6	262,5	327,5	358,1	410,4	494,2	556,2	639,5	733,2	796,8	879,7
Input power	kW	44,4	50,8	57,8	70,4	76,6	87,1	104,0	118,2	131,8	150,4	169,5	188,1
Heating total input current	A	78,0	88,0	98,0	113,0	130,0	149,0	170,0	191,0	209,0	246,0	272,0	308,0
COP	W/W	4,61	4,54	4,54	4,65	4,68	4,71	4,75	4,70	4,85	4,87	4,70	4,68
Water flow rate system side	l/h	35533	40021	45575	56858	62177	71260	85815	96600	111065	127339	138391	152791
Pressure drop system side	kPa	34	33	31	40	33	29	30	29	30	31	29	29
Water flow rate source side	l/h	47178	52944	60295	75577	82711	94940	114197	128417	148521	170834	184231	202358
Pressure drop source side	kPa	90	101	103	88	89	91	61	78	61	85	101	60

(1) Date 14511:2018; Water user side 12 °C / 7 °C; Water source side 30 °C / 35 °C

(2) Date 14511:2018; Water user side 40 °C / 45 °C; Water source side 10 °C / 7 °C

WFN 2502 - 9603 - version A - gas R134a

Size		2502	2802	3202	3602	4202	4802	5602	6402	6703	7203	8403	9603
Cooling performance 12 °C / 7 °C (1)													
Cooling capacity	kW	652,3	746,8	905,7	1024,5	1164,3	1325,5	1446,9	1589,7	1721,1	1960,7	2149,5	2349,3
Input power	kW	121,4	137,8	167,7	189,5	213,7	242,9	270,4	296,6	317,6	359,9	406,3	445,4
Cooling total input current	A	208,0	239,0	275,0	310,0	341,0	401,0	447,0	493,0	509,0	598,0	667,0	739,0
EER	W/W	5,37	5,42	5,40	5,41	5,45	5,46	5,35	5,36	5,42	5,45	5,29	5,28
Water flow rate system side	l/h	112179	128411	155723	176117	200144	227870	248717	273259	295856	337027	369472	403784
Pressure drop system side	kPa	51	41	38	29	33	45	32	38	43	55	51	30
Water flow rate source side	l/h	132175	151199	183520	207646	235653	268115	293728	322600	348857	396964	437212	478412
Pressure drop source side	kPa	49	50	49	49	50	49	48	46	34	32	32	36
Heating performance 40 °C / 45 °C (2)													
Heating capacity	kW	726,4	828,1	1001,4	1138,6	1283,2	1459,8	1589,2	1809,3	1911,8	2159,8	2376,5	2610,0
Input power	kW	154,8	174,8	209,3	234,9	264,8	302,9	332,5	371,1	396,0	450,7	504,3	547,7
Heating total input current	A	260,0	298,0	339,0	381,0	418,0	492,0	545,0	606,0	624,0	733,0	812,0	900,0
COP	W/W	4,69	4,74	4,78	4,85	4,85	4,82	4,78	4,88	4,83	4,79	4,71	4,77
Water flow rate system side	l/h	126142	143812	173923	197757	222889	253571	276062	314312	332129	375231	412895	453465
Pressure drop system side	kPa	45	45	44	45	45	44	43	44	31	28	28	32
Water flow rate source side	l/h	168271	191878	232387	264585	298364	339696	368017	421779	444410	502013	549582	603144
Pressure drop source side	kPa	114	92	85	65	73	101	70	91	97	122	112	66

(1) Date 14511:2018; Water user side 12 °C / 7 °C; Water source side 30 °C / 35 °C

(2) Date 14511:2018; Water user side 40 °C / 45 °C; Water source side 10 °C / 7 °C

WFN 6703 - 9603 - version ° - gas R134a

Size		6703	7203	8403	9603
Cooling performance 12 °C / 7 °C (1)					
Cooling capacity	kW	1691,1	1925,6	2120,1	2310,0
Input power	kW	322,4	364,9	407,2	452,6
Cooling total input current	A	505,0	594,0	660,0	733,0
EER	W/W	5,00	5,00	5,00	5,00
Water flow rate system side	l/h	290696	330989	364406	397041
Pressure drop system side	kPa	46	52	39	46
Water flow rate source side	l/h	343740	390980	431894	471655
Pressure drop source side	kPa	70	70	58	69
Heating performance 40 °C / 45 °C (2)					
Heating capacity	kW	1885,5	2129,2	2348,8	2575,2
Input power	kW	401,0	454,4	501,6	558,6
Heating total input current	A	619,0	728,0	803,0	893,0
COP	W/W	5,00	5,00	5,00	5,00
Water flow rate system side	l/h	327527	369895	408061	447398
Pressure drop system side	kPa	64	63	52	62
Water flow rate source side	l/h	436659	493020	542047	593071
Pressure drop source side	kPa	105	115	86	103

(1) Date 14511:2018; Water user side 12 °C / 7 °C; Water source side 30 °C / 35 °C
 (2) Date 14511:2018; Water user side 40 °C / 45 °C; Water source side 10 °C / 7 °C

ENERGY INDICES (REG. 2016/2281 EU)

Size		0701	0801	0901	1101	1251	1401	1601	1801	2101	2401	2801	3201
SEER - 12/7 (EN14825: 2018) (1)													
SEER	W/W	6,64	6,87	6,80	6,55	6,76	6,83	6,79	6,85	6,94	6,94	6,62	6,75
Seasonal efficiency	%	262,60	271,70	269,00	259,00	267,50	270,00	268,40	270,90	274,50	274,50	261,70	267,10

(1) Calculation performed with VARIABLE water flow rate and VARIABLE outlet temperature.

Size		2502	2802	3202	3602	4202	4802	5602	6402	6703	7203	8403	9603
SEER - 12/7 (EN14825: 2018) (1)													
SEER	°	W/W	-	-	-	-	-	-	-	6,88	6,98	7,02	6,85
	A	W/W	7,06	7,19	7,07	7,23	7,24	7,18	7,01	7,14	7,37	7,44	7,31
Seasonal efficiency	°	%	-	-	-	-	-	-	-	272,3%	276,2%	277,7%	270,8%
	A	%	279,5%	284,6%	279,8%	286,3%	286,5%	284,3%	277,3%	282,4%	291,9%	294,5%	289,5%

(1) Calculation performed with VARIABLE water flow rate and VARIABLE outlet temperature.

PERFORMANCE SPECIFICATIONS EVAPORATING UNITS

WFN - AE- gas R134a

Size		0701	0801	0901	1101	1251	1401	1601	1801	2101	2401	2801	3201
Evaporator: E													
Cooling performance 12 °C / 7 °C - gas R134a (1)													
Cooling capacity	kW	162,7	185,3	208,6	264,5	289,4	331,9	398,9	449,2	519,2	588,2	640,8	701,8
Input power	kW	41,4	47,2	53,8	65,8	71,8	81,7	98,8	111,7	125,2	141,5	158,8	175,4
Cooling total input current	A	74,0	83,0	94,0	109,0	124,0	141,0	164,0	185,0	203,0	236,0	263,0	290,0
EER	W/W	3,93	3,92	3,88	4,02	4,03	4,06	4,04	4,02	4,15	4,16	4,03	4,00
Evaporator water flow rate	l/h	27948	31843	35845	45444	49721	57032	68528	77175	89209	101057	110092	120581
Pressure drop evaporator side	kPa	32	36	37	32	32	33	22	28	22	30	36	21
Length of refrigerant lines from/to 0 - 10 m													
Gas line (C1)	Ø	42,0	54,0	54,0	54,0	67,0	67,0	67,0	76,0	76,0	89,0	89,0	89,0
Gas line (C2)	Ø	-	-	-	-	-	-	-	-	-	-	-	-
Gas line (C3)	Ø	-	-	-	-	-	-	-	-	-	-	-	-
Liquid line (C1)	Ø	28,0	35,0	35,0	35,0	42,0	42,0	42,0	42,0	54,0	54,0	54,0	54,0
Liquid line (C2)	Ø	-	-	-	-	-	-	-	-	-	-	-	-
Liquid line (C3)	Ø	-	-	-	-	-	-	-	-	-	-	-	-

(1) Service side water 12 °C / 7 °C; Condensing temperature 45 °C

Size		2502	2802	3202	3602	4202	4802	5602	6402	6703	7203	8403	9603
Evaporator: E													
Cooling performance 12 °C / 7 °C - gas R134a (1)													
Cooling capacity	kW	584,6	668,6	803,3	911,8	1043,5	1186,8	1284,6	1414,9	1544,3	1758,8	1912,5	2076,9
Input power	kW	143,3	163,2	196,5	222,8	249,8	283,2	317,9	349,1	373,7	422,6	474,7	523,3
Cooling total input current	A	246,7	282,2	326,3	368,7	405,5	472,6	525,9	578,3	606,7	705,8	785,6	867,1
EER	W/W	4,08	4,10	4,09	4,09	4,18	4,19	4,04	4,05	4,13	4,16	4,03	3,97
Evaporator water flow rate	l/h	100443	114870	138020	156649	179280	203906	220716	243093	265322	302189	328596	356829
Pressure drop evaporator side	kPa	41	33	30	23	27	36	25	30	35	44	40	23
Length of refrigerant lines from/to 0 - 10 m													
Gas line (C1)	Ø	67,0	67,0	67,0	76,0	76,0	88,9	88,9	88,9	76,0	88,9	88,9	88,9
Gas line (C2)	Ø	67,0	67,0	67,0	76,0	76,0	88,9	88,9	88,9	76,0	88,9	88,9	88,9
Gas line (C3)	Ø	-	-	-	-	-	-	-	42,0	76,0	88,9	88,9	88,9
Liquid line (C1)	Ø	42,0	42,0	42,0	42,0	54,0	54,0	54,0	54,0	54,0	54,0	54,0	54,0
Liquid line (C2)	Ø	42,0	42,0	42,0	42,0	54,0	54,0	54,0	54,0	54,0	54,0	54,0	54,0
Liquid line (C3)	Ø	-	-	-	-	-	-	-	-	54,0	54,0	54,0	54,0

(1) Service side water 12 °C / 7 °C; Condensing temperature 45 °C

WFN - °E - gas R134a

Size		6703	7203	8403	9603
Evaporator: E					
Cooling performance 12 °C / 7 °C - gas R134a (1)					
Cooling capacity	kW	1500,1	1704,7	1830,1	1998,5
Input power	kW	375,4	424,4	474,7	524,9
Cooling total input current	A	609,0	708,0	786,0	869,0
EER	W/W	4,00	4,02	3,86	3,81
Evaporator water flow rate	l/h	257735	292888	314432	343357
Pressure drop evaporator side	kPa	36	41	29	35
Length of refrigerant lines from/to 0 - 10 m					
Gas line (C1)	Ø	76,0	88,9	88,9	88,9
Gas line (C2)	Ø	76,0	88,9	88,9	88,9
Gas line (C3)	Ø	76,0	88,9	88,9	88,9
Liquid line (C1)	Ø	54,0	54,0	54,0	54,0
Liquid line (C2)	Ø	54,0	54,0	54,0	54,0
Liquid line (C3)	Ø	54,0	54,0	54,0	54,0

(1) Service side water 12 °C / 7 °C; Condensing temperature 45 °C

ELECTRIC DATA

Size		0701	0801	0901	1101	1251	1401	1601	1801	2101	2401	2801	3201
Electric data													
Maximum current (FLA)	A	106,0	119,0	136,0	162,0	183,0	208,0	243,0	275,0	305,0	350,0	389,0	427,0
Peak current (LRA)	A	166,0	195,0	232,0	303,0	317,0	344,0	439,0	468,0	589,0	653,0	808,0	920,0
Electric data													
Maximum current (FLA)	°	A	-	-	-	-	-	-	-	913,0	1050,0	1166,0	1281,0
	A	A	365,0	416,0	486,0	549,0	609,0	700,0	777,0	854,0	913,0	1050,0	1166,0
Peak current (LRA)	°	A	-	-	-	-	-	-	-	1198,0	1353,0	1585,0	1774,0
	A	A	500,0	552,0	682,0	743,0	894,0	1003,0	1197,0	1347,0	1198,0	1353,0	1585,0

GENERAL TECHNICAL DATA

WFN - A

Size		0701	0801	0901	1101	1251	1401	1601	1801	2101	2401	2801	3201
Compressor													
Type	type	Screw											
Compressor regulation	Type	On-Off											
Number	no.	1	1	1	1	1	1	1	1	1	1	1	1
Circuits	no.	1	1	1	1	1	1	1	1	1	1	1	1
Refrigerant	type	R134a											
Refrigerant load circuit 1 (1)	kg	41,0	41,0	38,0	59,0	57,0	72,0	66,0	61,0	85,0	81,0	110,0	104,0
System side heat exchanger													
Type	type	Shell and tube											
Number	no.	1	1	1	1	1	1	1	1	1	1	1	1
Connections (in/out)	Type	Grooved joints											
Sizes (in/out)	Ø	4"	4"	4"	4"	5"	6"	6"	6"	6"	6"	8"	8"
Source side heat exchanger													
Type	type	Shell and tube											
Number	no.	1	1	1	1	1	1	1	1	1	1	1	1
Connections (in/out)	Type	Grooved joints											
Sizes (in/out)	Ø	3"	3"	3"	3"	4"	4"	4"	4"	5"	5"	6"	6"

(1) The load indicated in the table is an estimated and preliminary value. The final value of the refrigerant load is indicated on the unit's technical label. For further information contact the office.

Size			2502	2802	3202	3602	4202	4802	5602	6402	6703	7203	8403	9603
Compressor														
Type	°A	type												
Compressor regulation	°A	Type												
Number	°A	no.	2	2	2	2	2	2	2	2	3	3	3	3
Circuits	°A	no.	2	2	2	2	2	2	2	2	3	3	3	3
Refrigerant	°A	type												
Refrigerant load circuit 1 (1)	°	kg	-	-	-	-	-	-	-	-	107,0	115,0	136,0	157,0
	A	kg	50,0	53,0	81,0	71,0	70,0	123,0	124,0	121,0	106,0	104,0	110,0	120,0
Refrigerant load circuit 2 (1)	°	kg	-	-	-	-	-	-	-	-	107,0	115,0	136,0	157,0
	A	kg	50,0	53,0	81,0	71,0	70,0	123,0	124,0	121,0	106,0	104,0	110,0	120,0
Refrigerant load circuit 3 (1)	°	kg	-	-	-	-	-	-	-	-	107,0	115,0	136,0	157,0
	A	kg	-	-	-	-	-	-	-	-	106,0	104,0	110,0	120,0
System side heat exchanger														
Type	°A	type												
Number	°A	no.	1	1	1	1	1	1	1	1	1	1	1	1
Connections (in/out)	°A	Type												
Sizes (in/out)	°	Ø	-	-	-	-	-	-	-	-	10"	10"	10"	10"
	A	Ø	8"	8"	8"	8"	10"	10"	10"	10"	-	-	-	-
Source side heat exchanger														
Type	°A	type												
Number	°A	no.	2	2	2	2	2	2	2	2	3	3	3	3
Connections (in/out)	°A	Type												
Sizes (in/out)	°	Ø	-	-	-	-	-	-	-	-	5"	5"	6"	6"
	A	Ø	4"	4"	4"	4"	5"	6"	6"	6"	-	-	-	-

(1) The load indicated in the table is an estimated and preliminary value. The final value of the refrigerant load is indicated on the unit's technical label. For further information contact the office.

SOUND DATA

Sound data calculated with functioning in cooling mode - R134a gas

Size		0701	0801	0901	1101	1251	1401	1601	1801	2101	2401	2801	3201
Set-up: °													
Sound data calculated in cooling mode (1)													
Sound power level	dB(A)	81,2	80,0	81,6	79,1	82,3	85,7	81,6	82,4	83,9	84,0	87,4	84,9
Set-up: K													
Sound data calculated in cooling mode (1)													
Sound power level	dB(A)	78,0	78,2	77,9	79,8	80,4	80,9	81,1	81,5	84,3	82,6	85,1	84,5
Set-up: L													
Sound data calculated in cooling mode (1)													
Sound power level	dB(A)	81,0	81,2	80,9	82,8	83,4	83,9	84,1	84,5	87,3	85,5	88,1	87,5

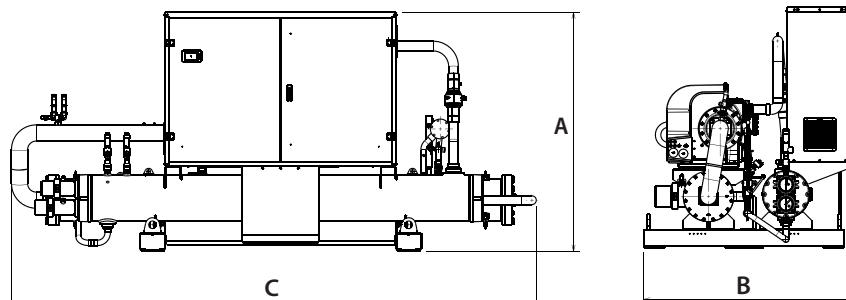
(1) Sound power calculated on the basis of measurements made in accordance with UNI EN ISO 9614-2, as required for Eurovent certification. Sound pressure (cold functioning) measured in free field, 10m away from the unit external surface (in compliance with UNI EN ISO 3744).

Size			2502	2802	3202	3602	4202	4802	5602	6402	6703	7203	8403	9603
Set-up: °														
Sound data calculated in cooling mode (1)														
Sound power level	°	dB(A)	-	-	-	-	-	-	-	-	97,0	97,2	99,5	100,0
	A	dB(A)	93,5	94,0	94,0	94,5	95,0	95,5	97,5	98,0	97,0	97,2	99,5	100,0
Set-up: K														
Sound data calculated in cooling mode (1)														
Sound power level	°	dB(A)	-	-	-	-	-	-	-	-	88,1	87,3	89,8	90,3
	A	dB(A)	83,6	83,6	84,5	85,2	86,1	85,6	87,8	88,3	88,1	87,3	89,8	90,3
Set-up: L														
Sound data calculated in cooling mode (1)														
Sound power level	°	dB(A)	-	-	-	-	-	-	-	-	91,1	90,2	92,8	93,3
	A	dB(A)	86,6	86,6	87,5	88,2	89,1	88,5	90,8	91,3	91,1	90,2	92,8	93,3

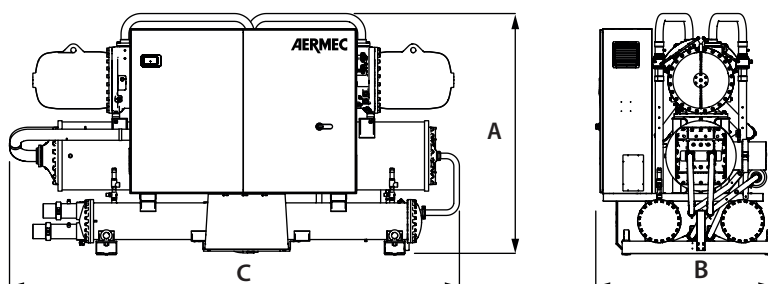
(1) Sound power calculated on the basis of measurements made in accordance with UNI EN ISO 9614-2, as required for Eurovent certification. Sound pressure (cold functioning) measured in free field, 10m away from the unit external surface (in compliance with UNI EN ISO 3744).

DIMENSIONS

0701 - 3201



2502 - 9603



WFN 0701-9603 ver. A

Size		0701	0801	0901	1101	1251	1401	1601	1801	2101	2401	2801	3201
Dimensions and weights - standard configuration													
A	mm	1720	1720	1720	1720	1790	1865	1865	1865	1887	1887	1920	1920
B	mm	1450	1450	1450	1510	1550	1610	1610	1610	1610	1610	1630	1630
C	mm	3480	3480	3480	3470	3445	3560	4100	4100	4140	4252	4290	4290
Empty weight	kg	1610	1630	1630	2120	2130	2350	2940	2980	3260	3320	3820	3870
Dimensions and weights - quiet configuration													
A	mm	1720	1720	1720	1720	1790	1865	1865	1865	1887	1887	1920	1920
B	mm	1450	1450	1450	1540	1600	1610	1610	1610	1630	1630	1645	1645
C	mm	3480	3480	3480	3470	3445	3560	4100	4100	4140	4252	4290	4290
Empty weight	kg	1770	1790	1790	2280	2290	2510	3120	3170	3450	3510	4030	4080
Super silenced equipment dimensions and weights													
A	mm	1720	1720	1720	1720	1790	1865	1865	1865	1887	1887	1920	1920
B	mm	1450	1450	1450	1540	1600	1610	1610	1610	1630	1630	1645	1645
C	mm	3480	3480	3480	3470	3445	3560	4100	4100	4140	4252	4290	4290
Empty weight	kg	1960	1980	1980	2470	2480	2700	3340	3390	3670	3730	4280	4330
Size		2502	2802	3202	3602	4202	4802	5602	6402	6703	7203	8403	9603
Dimensions and weights - standard configuration													
A	mm	2000	2075	2195	2195	2340	2432	2440	2432	2250	2250	2250	2250
B	mm	1500	1500	1575	1575	1585	1845	1800	1800	2200	2200	2200	2200
C	mm	4320	4345	4380	4380	4395	4535	4605	4605	5650	5650	5650	5650
Empty weight	kg	3810	4100	5690	5750	6300	6670	6970	7070	10320	11670	12270	12360
Dimensions and weights - quiet configuration													
A	mm	2000	2075	2195	2195	2340	2432	2440	2432	2250	2250	2250	2250
B	mm	1500	1500	1575	1575	1585	1845	1800	1800	2200	2200	2200	2200
C	mm	4320	4345	4650	4650	4600	5015	5150	5150	5650	5650	5650	5650
Empty weight	kg	4120	4410	6050	6120	6670	7040	7420	7490	10880	12230	12950	12990
Super silenced equipment dimensions and weights													
A	mm	2000	2075	2195	2195	2340	2432	2440	2432	2250	2250	2250	2250
B	mm	1500	1500	1575	1575	1585	1845	1800	1800	2200	2200	2200	2200
C	mm	4320	4345	4650	4650	4600	5015	5150	5150	5650	5650	5650	5650
Empty weight	kg	4500	4790	6480	6550	7100	7470	7890	7990	11530	12880	13650	13740

WFN 6703-9603 ver. °

Size		6703	7203	8403	9603
Dimensions and weights - standard configuration					
A	mm	2250	2250	2250	2250
B	mm	2200	2200	2200	2200
C	mm	5650	5650	5650	5650
Empty weight	kg	9330	9910	10130	10200
Dimensions and weights - quiet configuration					
A	mm	2250	2250	2250	2250
B	mm	2200	2200	2200	2200
C	mm	5650	5650	5650	5650
Empty weight	kg	9890	10470	10760	10830
Super silenced equipment dimensions and weights					
A	mm	2250	2250	2250	2250
B	mm	2200	2200	2200	2200
C	mm	5650	5650	5650	5650
Empty weight	kg	10540	11120	11510	11580

■ For the sizes of D-T-E versions please contact the factory.

■ For the size of the units with the RIF accessory we ask you to contact the headquarters.

Aermec reserves the right to make any modifications deemed necessary.
All data is subject to change without notice. Aermec does not assume responsibility or liability for errors or omissions.

Aermec S.p.A.
Via Roma, 996 - 37040 Bevilacqua (VR) - Italia
Tel. 0442633111 - Telefax 044293577
www.aermec.com