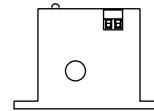
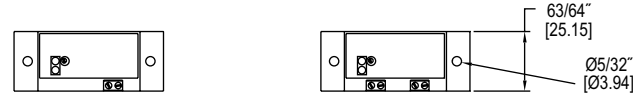
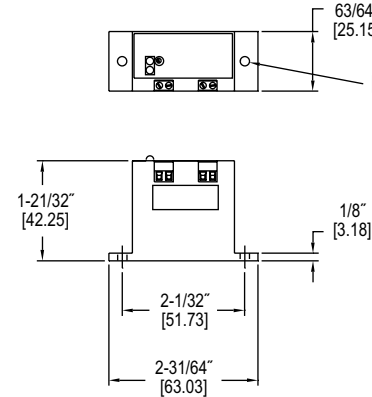


# MINIATURE CURRENT SWITCHES

Low Cost, Solid or No Core, LED Confirmation, Adjustable Set Point



Solid core



No core

The **Series MCS Miniature Current Switches** are ideal for monitoring the current usage in fuse boxes and small control panels. Both models have adjustable set points and LED indication to show there is power to the unit and when the switch activates. Set points can be adjusted using the potentiometer next to the LED's. Due to the size of the switch, it is only offered in solid core and no core versions. The no core version has terminal blocks which can accept currents up to 1 A directly into the unit.

**FEATURES/BENEFITS**

- Integral mounting flange for quick installation
- Compact size fits in any space

**APPLICATIONS**

- BAS
- HVAC

**SPECIFICATIONS**

**Amperage Range:** MCS-111050: 0.5 to 50 AAC continuous; MCS-111001: 0.01 to 1 A AC continuous.  
**Output Rating:** Isolated, N.O. 0.3 A @ 130 V DC/AC.  
**Power Requirements:** None, self-powered.  
**Hysteresis:** 1%.  
**Response Time:** <200 ms.  
**Temperature Limits:** 32 to 122°F (0 to 50°C).  
**Humidity Limits:** 10 to 95% RH (non-condensing).  
**Enclosure Rating:** UL 94 V-0 flammability rated ABS, insulation class 600 V.  
**Weight:** 0.5 oz (14.5 g).  
**Agency Approvals:** CE, cULus.

**MODEL CHART**

Model	Case	Set Point	Minimum Set Point	LED
MCS-111050	Solid core	Adjustable	0.50	Red/geen
MCS-111001	No core (terminal connection)	Adjustable	0.01	Red/green