

V2 & V3 Series

Honeywell

Honeywell

Brass & Bronze Valves



Features

Honeywell has developed a complete range of brass and bronze valves in small diameters to cater for use in general utilities, building control systems, as well as industrial applications.

- Our brass and bronze valves consists of ball valves, gate, globe, check and y-strainers, available in sizes ranging from 1/4" to 4" and in pressure ratings A125 or A150 (depending on the valve type).
- The brass valves are manufactured in forged brass, while the bronze valves are manufactured completely from castings.

Technical Data

Pressure ratings	: A125, A150
Body materials	: Brass (B124) Bronze (B584)
Sizes	: Brass (1/2" to 2") Bronze (1/4" to 4") depending on valve types.
Connection standards	: Unless otherwise specified, the threaded connections are available as parallel thread (as per BS 21 or UNI-ISO 7/1) or taper thread (as per ANSI or ASME B 2.1-NPT) on request.

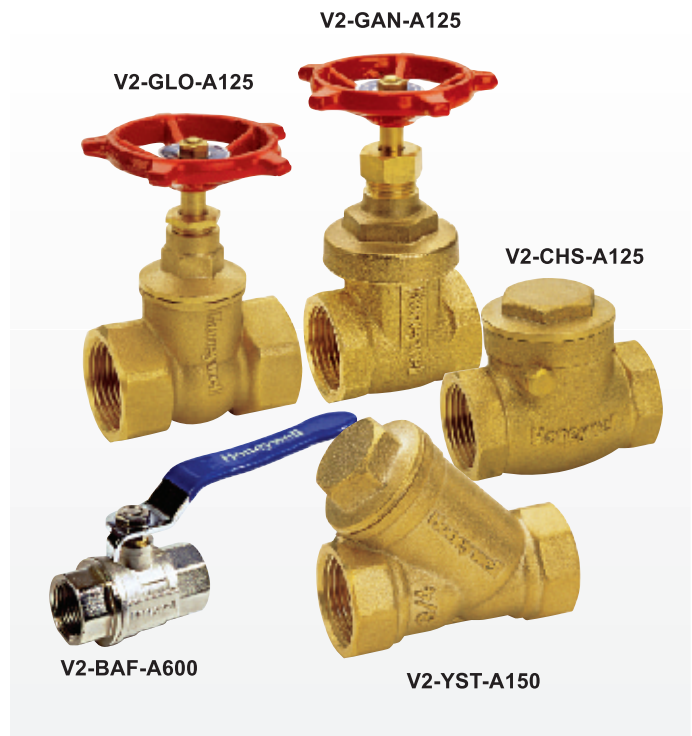
All dimensions in the data booklet are in mm (where not stated).

General Applications

Honeywell brass and bronze valves have been successfully installed in many general utilities and industrial compounds. Typical media of application would include water, oil and gas, and non-caustic liquid saturated steam, with a temperature range of -20°C to 150°C.

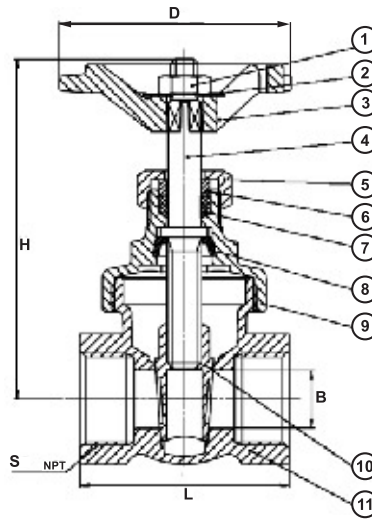
Specific areas of applications range from HVAC control systems in commercial and residential buildings, heating, refrigeration and thermal plants and hydraulic instrumentation systems.

V2 Brass Valves



V3 Bronze Valves





V2-GAN-A125

Gate Valve

Forged brass body and stem,
Non-rising stem, NPT / BSP
threading

Size: ½" to 2"

Nominal Pressure:

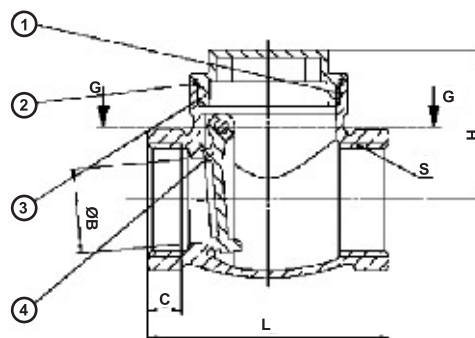
125 psi Steam pressure
200 psi Cold working pressure
(Water, Oil or Gas)

Dimensions

Size (in.)	L	B	H	D
½"	46	12.85	75.8	55
¾"	50	18.6	92	55
1"	55	23.5	100	72
1 ¼"	61	29.5	115.5	72
1 ½"	63.5	36.5	129	80
2"	72	49.5	153	100

Materials

No.	Description	Material	ASTM
1	Wheel Nut	Forged Brass	B124
2	Name Plate	Aluminum Plate	
3	Handwheel	Gray Cast Iron	No. 208B
4	Stem	Forged Brass	B124
5	Pack Nut	Forged Brass	B124
6	Gland	Forged Brass	B124
7	Packing	Teflon	PTFE
8	Thrust Sleeve	Forged Brass	B124
9	Bonnet	Forged Brass	B124
10	Disc	Forged Brass	B124
11	Body	Forged Brass	B124



V2-CHS-A125

Check Valve

Forged brass body and disc,
Horizontal swing type, NPT /
BSP threading

Size: ½" to 2"

Nominal Pressure:

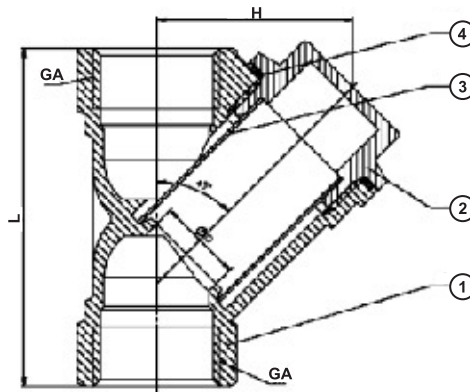
125 psi Steam pressure
200 psi Cold working pressure
(Water, Oil or Gas)

Dimensions

Size (in.)	L	C	B	H
½"	55	10.0	15	35.5
¾"	61	10.0	20	38.5
1"	72	10.5	25	44
1 ¼"	82	11.9	32	49
1 ½"	92	12.9	40	57.5
2"	110	15.2	50	65.5

Materials

No.	Description	Material	ASTM
1	Body	Forged Brass	B124
2	Seal Washer	Teflon	PTFE
3	Cap	Forged Brass	B124
4	Disc	Forged Brass	B124
5	Pin	Brass	B16
6	Seal Ring	Teflon	PTFE
7	Bolt	Brass	B16



V2-YST-A150

Y-Strainer

Forged brass body, Bolted bonnet cover, Stainless steel 304 perforated screen, NPT / BSP threading

Size: ½" to 2"

Nominal Pressure:

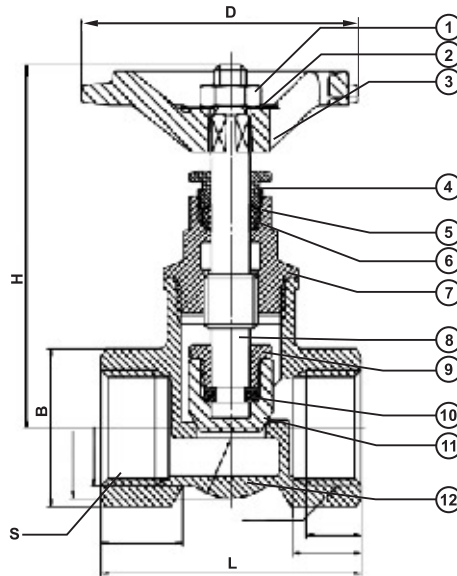
125 psi Steam pressure
300 psi Cold working pressure
(Water, Oil or Gas)

Dimensions

Size (in.)	L	C	B
½"	56	32	14
¾"	69	41	19
1"	82	49	25
1 ¼"	90	57	30
1 ½"	101	62	38
2"	123	75	48

Materials

No.	Description	Material	ASTM
1	Body	Forged Brass	B124
2	Bonnet	Forged Brass	B124
3	Filter	Stainless Steel	AISI 304
4	Sealing Washer	Teflon	PTFE



V2-GLO-A125

Globe Valve

Forged brass body, Screw in bonnet, Rising Stem, NPT / BSP threading

Size: ½" to 2"

Nominal Pressure:

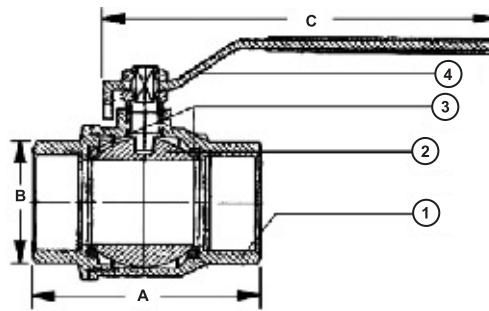
125 psi Steam pressure
200 psi Cold working pressure
(Water, Oil or Gas)

Dimensions

Size (in.)	L	H	B	D
½"	48	68	29	55
¾"	58	74	36	55
1"	66	85	43	72
1 ¼"	78	97	54	80
1 ½"	84	109	60.5	80
2"	104	125	74	100

Materials

No.	Description	Material	ASTM
1	Wheel Nut	Forged Brass	B124
2	Name Plate	Aluminum Plate	
3	Handwheel	Gray Cast Iron	NO. 208B
4	Pack Nut	Forged Brass	B124
5	Gland	Forged Brass	B124
6	Packing	Expanded Graphite	Non asbestos
7	Bonnet	Forged Brass	B124
8	Stem	Forged Brass	B124
9	Lock Nut	Forged Brass	B124
10	Disc	Forged Brass	B124
11	Seat	Forged Brass	B124
12	Body	Forged Brass	B124



V2-BAF-A600

Ball Valve

Forged brass body, Chrome plating ball, Full bore design, Teflon seat

Size: 1/4" to 2" (NPT thread)

Nominal Pressure:

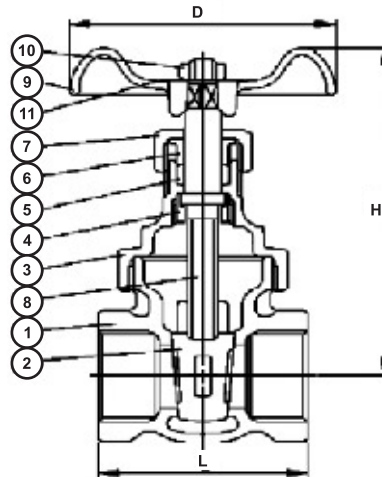
150 psi Steam pressure
600 psi Cold working pressure
(Water, Oil or Gas)

Dimensions

Size (in.)	A	B	C
1/4"	45.0	20.0	108.0
3/8"	45.0	20.0	110.0
1/2"	49.0	25.0	110.0
3/4"	65.0	31.0	140.0
1"	75.0	38.0	140.0
1 1/4"	85.0	48.0	175.0
1 1/2"	95.0	55.0	175.0
2"	113.0	67.0	180.0

Materials

No.	Description	Material	ASTM
1	Body	Forged Brass	B124
2	Ball	Forged Brass	B124
3	Seat	Teflon	PTFE
4	Handle	Chrome Plated Steel	A36



V3-GAN-A125

Gate Valve

Bronze body, Screw over bonnet, Non-rising stem, NPT threading

Size: 1/4" to 4"

Nominal Pressure:

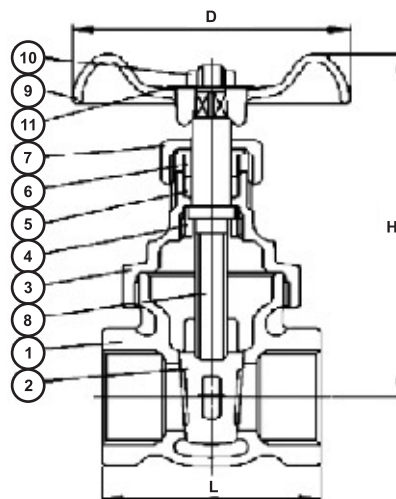
125 psi Steam pressure
200 psi Cold working pressure
(Water, Oil or Gas)

Dimensions

Size (in.)	D	H	L
1/4"	48.0	74.5	44.0
3/8"	48.0	74.5	44.0
1/2"	48.0	76.5	46.0
3/4"	57.5	90.0	50.0
1"	57.5	105.0	55.0
1 1/4"	77.0	120.0	60.0
1 1/2"	77.0	138.0	63.5
2"	92.0	158.0	71.5
2 1/2"	100.0	196.0	88.5
3"	120.0	217.0	100.0
4"	142.0	257.0	117.0

Materials

No.	Description	Material	ASTM
1	Body	Cast bronze	B584
2	Disc	Cast bronze	B584
3	Bonnet	Cast bronze	B584
4	Locknut	Brass	B16
5	Stem packing	Teflon	PTFE
6	Gland	Brass	B16
7	Packing nut	Brass	B16
8	Stem	Brass	B16
9	Handwheel	Aluminum die casting	B85
10	Wheel Nut	Steel	A563
11	Name plate	Aluminum	B209



V3-GAN-A150

Gate Valve

Bronze body, Screw over bonnet, Non-rising stem, NPT threading

Size: 1/2" to 2"

Nominal Pressure:

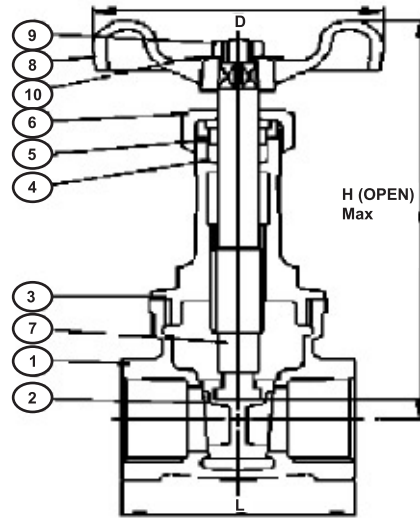
150 psi Steam pressure
300 psi Cold working pressure
(Water, Oil or Gas)

Dimensions

Size (in.)	D	H	L
1/2"	48.0	78.0	47.5
3/4"	57.5	94.0	51.5
1"	67.0	109.0	58.6
1 1/4"	77.0	120.0	63.0
1 1/2"	83.0	142.0	66.5
2"	92.0	163.0	73.5

Materials

No.	Description	Material	ASTM
1	Body	Cast bronze	B584
2	Disc	Cast bronze	B584
3	Bonnet	Cast bronze	B584
4	Locknut	Brass	B16
5	Stem packing	Teflon	PTFE
6	Gland	Brass	B16
7	Packing nut	Brass	B16
8	Stem	Brass	B16
9	Handwheel	Aluminum die casting	B85
10	Wheel Nut	Steel	A563
11	Name plate	Aluminum	B209



V3-GAR-A150

Gate Valve

Bronze body, Screw in bonnet, Rising stem, NPT threading

Size: ½" to 2"

Nominal Pressure:

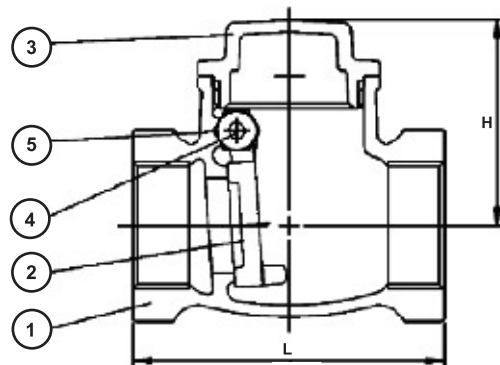
150 psi Steam pressure
300 psi Cold working pressure
(Water, Oil or Gas)

Dimensions

Size (in.)	D	H	L
½"	53.0	117.0	44.0
¾"	64.0	140.0	49.0
1"	74.0	167.0	54.0
1 ¼"	80.0	195.0	60.0
1 ½"	87.0	222.0	64.0
2"	87.0	264.0	72.0

Materials

No.	Description	Material	ASTM
1	Body	Cast bronze	B584
2	Disc	Cast bronze	B584
3	Bonnet	Cast bronze	B584
4	Stem packing	Teflon	PTFE
5	Gland	Brass	B16
6	Packing nut	Brass	B16
7	Stem	Brass	B16
8	Handwheel	Cast iron	A126
9	Wheel nut	Steel	A563
10	Name plate	Steel	B209



V3-CHS-A125

Check Valve

Bronze body and disc, Screw in bonnet, Horizontal swing type, NPT threading

Size: ½" to 2"

Nominal Pressure:

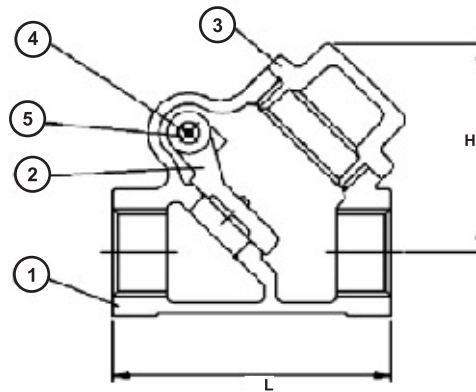
125 psi Steam pressure
200 psi Cold working pressure
(Water, Oil or Gas)

Dimensions

Size (in.)	H	L
½"	39.5	57.0
¾"	42.5	61.0
1"	50.0	70.0
1 ¼"	55.0	82.0
1 ½"	60.0	92.0
2"	69.0	110.0

Materials

No.	Description	Material	ASTM
1	Body	Cast Bronze	B584
2	Disc	Cast Bronze	B584
3	Cap	Cast Bronze	B584
4	Hanger Pin	Brass	B16
5	Plug	Brass	B16



V3-CHS-A150

Check Valve

Bronze body and disc, Screw in bonnet, 45 degree swing type, NPT threading

Size: 1/2" to 2"

Nominal Pressure:

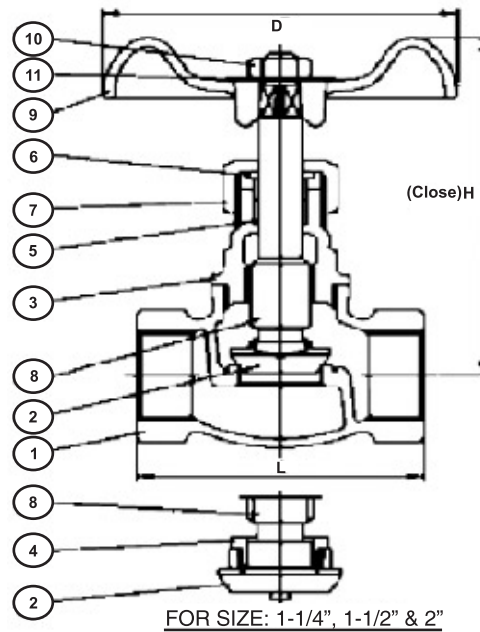
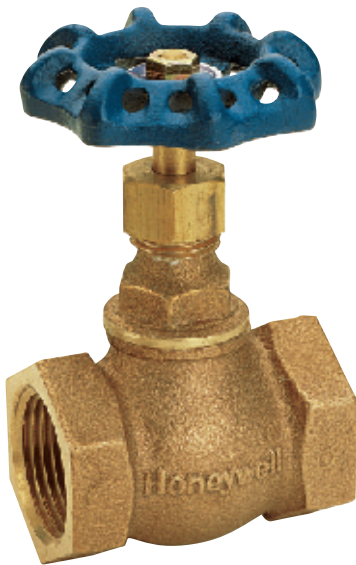
150 psi Steam pressure
300 psi Cold working pressure
(Water, Oil or Gas)

Dimensions

Size (in.)	H	L
1/2"	42.5	56.0
3/4"	51.0	70.5
1"	58.0	58.0
1 1/4"	68.0	96.5
1 1/2"	78.0	110.0
2"	96.0	129.0

Materials

No.	Description	Material	ASTM
1	Body	Cast Bronze	B584
2	Disc	Cast Bronze	B584
3	Cap	Cast Bronze	B584
4	Hanger Pin	Brass	B16
5	Plug	Brass	B16



V3-GLO-A125

Globe Valve

Bronze body, Screw in bonnet
Rising stem, NPT threading

Size: 1/4" to 2"

Nominal Pressure:

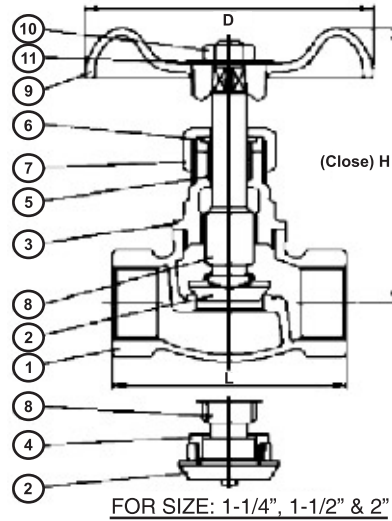
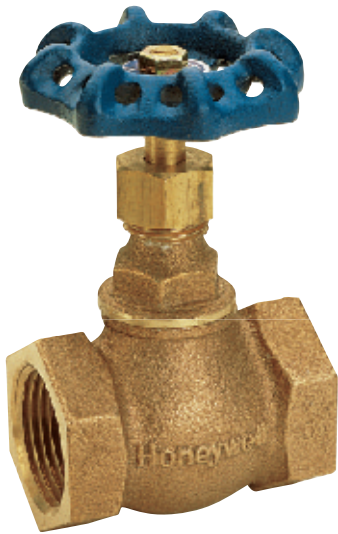
125 psi Steam pressure
200 psi Cold working pressure
(Water, Oil or Gas)

Dimensions

Size (in.)	D	H	L
1/4"	53.0	70.0	45.0
3/8"	53.0	70.0	46.0
1/2"	53.0	70.0	49.0
3/4"	57.5	70.0	56.0
1"	64.0	87.0	65.0
1 1/4"	74.0	94.0	75.0
1 1/2"	74.0	104.0	84.0
2"	87.0	124.0	99.0

Materials

No.	Description	Material	ASTM
1	Body	Cast bronze	B584
2	Disc 1/4" - 1"	Brass	B16
	1 1/4" - 2"	Cast bronze	B584
3	Bonnet	Cast bronze	B584
4	Locknut	Brass	B16
5	Stem packing	Teflon	PTFE
6	Gland	Brass	B16
7	Packing nut	Brass	B16
8	Stem	Brass	B16
9	Handwheel	Aluminum die casting	B85
10	Wheel Nut	Steel	A563
11	Name plate	Aluminum	B209



V3-GLO-A150

Globe Valve

Bronze body, Screw in bonnet
Rising stem, NPT threading

Size: 1/4" to 2"

Nominal Pressure:

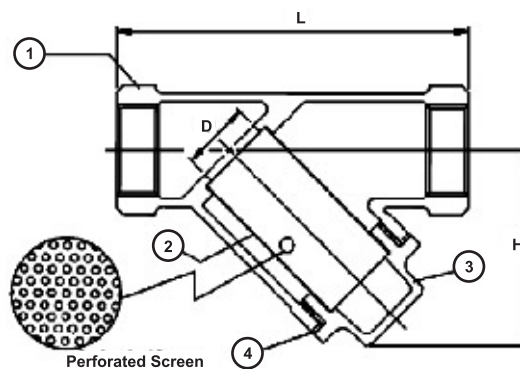
150 psi Steam pressure
300 psi Cold working pressure
(Water, Oil or Gas)

Dimensions

Size (in.)	D	H	L
1/4"	53.0	70.0	45.0
3/8"	53.0	70.0	46.0
1/2"	53.0	70.0	49.0
3/4"	57.5	70.0	56.0
1"	64.0	87.0	65.0
1 1/4"	74.0	94.0	75.0
1 1/2"	74.0	104.0	84.0
2"	87.0	124.0	99.0

Materials

No.	Description	Material	ASTM
1	Body	Cast bronze	B584
2	Disc 1/4" - 1"	Brass	B16
	1 1/4" - 2"	Cast bronze	B584
3	Bonnet	Cast bronze	B584
4	Locknut	Brass	B16
5	Stem packing	Teflon	PTFE
6	Gland	Brass	B16
7	Packing nut	Brass	B16
8	Stem	Brass	B16
9	Handwheel	Aluminum die casting	B85
10	Wheel Nut	Steel	A563
11	Name plate	Aluminum	B209



V3-YST-A150

Strainer Valve

Bronze body, Screw in bonnet
Rising stem, 304 S.S.
perforated sheet mesh 20, NPT
threading

Size: 1/2" to 2"

Nominal Pressure:

150 psi Steam pressure
300 psi Cold working pressure
(Water, Oil or Gas)

Dimensions

Size (in.)	D	H	L
1/2"	14.0	48.0	80.0
3/4"	19.0	58.0	100.0
1"	25.0	70.0	115.0
1 1/4"	31.0	80.0	160.0
1 1/2"	38.1	93.0	160.0
2"	50.0	112.0	190.0

Materials

No.	Description	Material	ASTM
1	Body	Cast bronze	B584
2	Screen	Stainless steel	304
3	Cap	Cast bronze	B584
4	Gasket	Non-asbestos	Blue Guard 3000

SINGAPORE

Honeywell Pte Ltd
(Headquarters for Southeast Asia)
17 Changi Business Park Central 1
Singapore 486073
Tel : (65) 6355 2828
Fax : (65) 6445 3033

MALAYSIA

Honeywell Engineering Sdn Bhd
1st Floor Block B
No. 10 Jalan Bersatu 13/4
Petaling Jaya 46200
Selangor Darul Ehsan
Malaysia
Tel : (603) 7958 4988
Fax : (603) 7958 8922 / 7958 8722

INDONESIA

PT Honeywell Indonesia
Sastra Graha, 5th Floor Suite 509
JI Raya Perjuangan No. 21
Jakarta 11530
Indonesia
Tel : (62) 21-535 8833
Fax : (62) 21-5367 1008

PHILIPPINES

Honeywell Systems (Philippines) Inc.
2305A, 23rd Floor, Tektite Tower 1
Exchange Road, Ortigas Centre
Pasig City 1605
Philippines
Tel : (632) 633 2830-31 / 636 1661-62
Fax : (632) 638 4013

THAILAND

Honeywell Systems (Thailand) Ltd
252/121 25th Floor
Muang Thai-Phatra Office Tower II
Ratchadapisek Road, Huay Khwang
Bangkok 10320
Thailand
Tel : (662) 6933099
Fax : (662) 6933085

Honeywell

For further information, a quotation or a demonstration please contact our nearest Honeywell office or local distributor.

Environmental Controls

Honeywell Pte Ltd
Honeywell Building
17 Changi Business Park Central 1
Singapore 486073
Tel : (65) 6355 2828
Fax : (65) 6445 3033
www.honeywell.com