

## V5-GAN-GP16 SERIES

RESILIENT SEATED GATE VALVE, NON RISING STEM (HAND WHEEL)

### PRODUCT DATA



### FEATURES

- Ductile iron body
- Stainless steel stem
- Full port type, lowest pressure lost
- O-ring packing in up seal, no leakage

### SPECIFICATIONS

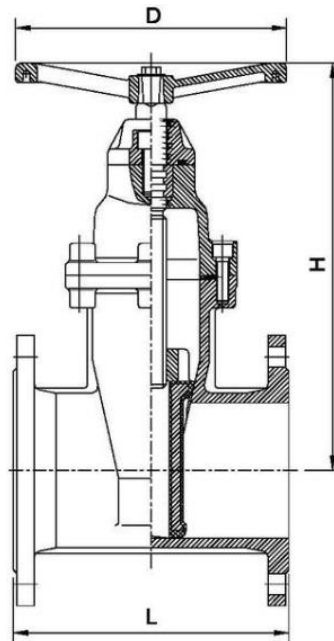
- Valve comply with EN1171-2002, MSS SP-70
- High strength thrust collar
- Flange EN1092-2, class 125
- Resilient sealing
- Internally and externally fusion bonded epoxy powder coated (FBE)
- Sizes: DN50 – DN600
- Nominal pressure: 16 bar at -10°C to 120°
- Test pressure: Shell (Water) – 24 Bar
- Test pressure: Seat (Water) – 17.6 Bar

### MATERIAL

No	Description	Material	EN Specs	ASTM specs
1	Body	Ductile Iron	EN-JS1050	ASTM A536 65-45-12
2	Bonnet	Ductile Iron	EN-JS1050	ASTM A536 65-45-12
3	Wedge	DI With EPDM Coated	EN-JS1050	ASTM A536 65-45-12
4	Thrust Collar	Brass	2874 CZ 124	B16 C36000
5	Stem Nut	Brass		B584 C84400
6	Stem	Stainless Steel	BS970 420S37	AISI 420
7	O-Ring	EPDM	Commercial	Commercial
8	Gasket	EPDM	Commercial	Commercial
9	Gland	Ductile Iron	EN-JS 1050	ASTM A536 65-45-12
10	Wrench Nut	Ductile Iron	EN-JS 1050	ASTM A536 65-45-12
11	Hand Wheel	Ductile Iron	EN-JS 1050	ASTM A536 65-45-12

## Dimension (mm)

Size (DN)	50	65	80	100	125	150	200	250	300	350	400	450	500	600	
L	BS5163 EN558-1, Series -3	178	191	203	229	254	267	292	330	356	381	406	432	457	508
	DIN3352 DIN3202-1-F4 EN558-1, Series-14	150	170	180	190	200	210	230	250	270	290	310	330	350	390
	DIN3352 DIN3202-1-F5 EN558-1, Series-15	250	270	280	300	325	350	400	450	500	550	600	650	700	800
	AWWA C515 ANSI/ANSE-B16 10	178	191	203	229	254	267	292	330	356	381	406	432	457	508
H	240	255	280	305	380	417	525	621	711	905	980	1115	1190	1340	
D	175	175	255	255	305	305	355	405	405	558	558	610	610	762	
Weight (kg)	15	17	20	26	33	46	70	105	159	218	280	390	504	730	



## SELECTION CHART

