

V2-CHS-A125

CHECK VALVE - HORIZONTAL SWING

PRODUCT SPECIFICATION SHEET



FEATURES

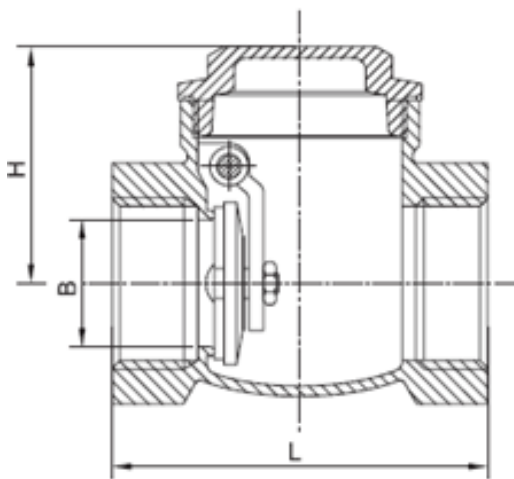
- Brass body
- Brass disc
- NPT / BSP threading

SPECIFICATIONS

Valve sizes: ½" to 2" (Threaded ends)

Nominal pressure: PN16 from -20 °C to 150 °C (Water)

NO.	DESCRIPTION	MATERIAL
1	Body	Brass
2	Seal Washer	Teflon
3	Cap	Brass
4	Disc	Brass
5	Pin	StainlessSteel
6	Seal Ring	Teflon
7	Bolt	Brass



DIMENSIONS in (mm)

Size	Part No.		L	H	B
	For NPT Threading	For BSP Threading			
½"	V2-CHS-A125-A050-N	V2-CHS-A125-B015-N	46	34	13
¾"	V2-CHS-A125-A075-N	V2-CHS-A125-B020-N	56	37.5	18
1"	V2-CHS-A125-A100-N	V2-CHS-A125-B025-N	63	44.5	22
1 ¼"	V2-CHS-A125-A125-N	V2-CHS-A125-B032-N	67.5	50	29
1 ½"	V2-CHS-A125-A150-N	V2-CHS-A125-B040-N	82	56.5	33
2"	V2-CHS-A125-A200-N	V2-CHS-A125-B050-N	94	65.5	42.5