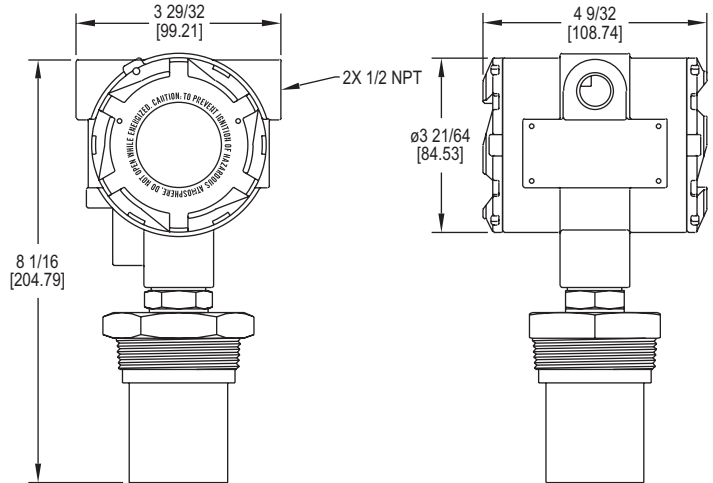


ULTRASONIC LEVEL TRANSMITTER

Explosion-Proof, Mapping Software, 3" (76.2 mm) Measuring Column



The **Series ULT Ultrasonic Level Transmitter** provides non-contact measurement of liquid levels in an explosion-proof body. It is capable of measuring up to 32.8' (10 m) with a PVDF sensor and 4 to 20 mA output.

FEATURES/BENEFITS

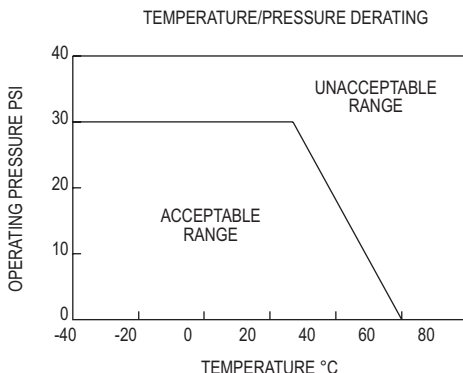
- Provides reliable, accurate, and non-contact level measurement of compatible liquids
- Non-contact technology offers no moving parts to wear, jam, corrode, or get coated like contact technologies
- Mapping software makes effective measuring surface only a 3" (76.2 mm) diameter column with no concerns of ladders, pipes, or other tank intrusions in the remaining sound cone
- FM approved explosion-proof making it ideal for use in hazardous locations
- Easy programming with 6 digit LCD display and simple menu structure
- Output range is adjustable with choices of inputting tank dimensions or by filling and emptying the tank while calibrating and it automatically and scaling to levels it senses
- Window cover allows easy viewing of display
- Fail-safe output options and diagnostic capabilities

APPLICATIONS

- Water and wastewater
- Pulp and paper processing
- Chemical processing
- Food and beverage

MODEL CHART

Model	Range
ULT-11	24.6' (7.5 m)
ULT-21	32.8' (10 m)



SPECIFICATIONS

Service: Compatible fluids. Not for use with powder and bulk solids.
Wetted Materials: Sensor: PVDF; Process connection: 303 SS; O-ring: Fluoroelastomer.
Ranges: 24.6' (7.5 m), 32.8' (10 m).
Accuracy: ±0.2% FS.
Resolution: 0.079" (2 mm).
Blind Zone: Under 8" (20 cm).
Beam Width: 3" (7.6 cm) diameter.
Temperature Limits: Ambient: -40 to 140°F (-40 to 60°C); Process: -4 to 140°F (-20 to 60°C).
Temperature Compensation: -40 to 140°F (-40 to 60°C).
Pressure Limits: 30 psi (2 bar) up to 25°C (77°C). Above 25°C (77°F), rating decreases 1.667 psi per 1°C increase. See chart.
Power Requirement: 18-28 VDC (two-wire).
Output Signal: 4-20 mA or 20-4 mA (two-wire).
Max. Loop Resistance: 250 Ω at 24 VDC.
Electrical Connections: Screw terminal.
Conduit Connection: 1/2" NPT female (two) or optional M20.
Process Connection: 2" NPT male or optional BSPT.
Enclosure Rating: Weather-proof meets NEMA 4X (IP66), explosion-proof rated Class I, Div. 1, Groups B, C, D; Class II/III, Div. 1, Groups E, F, G.
Mounting Orientation: Vertical.
Failsafe: On lost echo after 30 seconds, user selectable to 4, 20, 21, 22 mA or last signal.
Memory: Non-volatile.
Display: 6 character LCD.
Units: In, cm, ft, m, percent.
Programming: 4 button.
Weight: 4.0 lb (1.8 kg).
Agency Approvals: CE, FM.