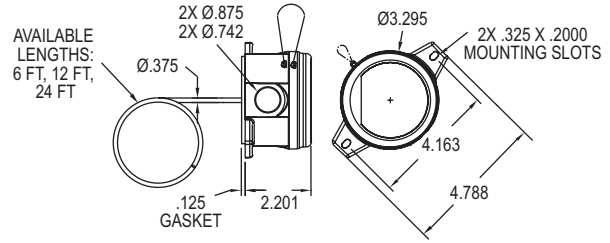


AVERAGING TEMPERATURE SENSOR

Available in 6', 12' and 24' Lengths



The **Series TE-A Averaging Temperature Sensor** features a long bendable aluminum capillary to measure the average temperature in large ducts and air handler units.

FEATURES/BENEFITS

- Easy to mount external tab housing
- 1/4 turn housing cover with chain
- Multiple conduit knockouts for easy installation positioning

APPLICATIONS

- Building automations
- Air handler unit monitoring
- Large air duct temperature monitoring

SPECIFICATIONS

Accuracy: Thermistor temperature sensor: $\pm 0.22^{\circ}\text{C}$ @ 25°C ($\pm 0.4^{\circ}\text{F}$ @ 77°F).
Temperature Limits: -40 to 302°F (-40 to 150°C).
Capillary Lengths: 6, 12 or 24' (depending on model).
Cable Length: 4".
Sensor Curves: See page reference 1 below.
Probe Material: Bendable aluminum probe.
Housing Material: Meets UL, 94 V-0 polycarbonate plastic.
Weight: 14 oz (397 g).

MODEL CHART

| Model | Sensor Type | Capillary Length | Model | Sensor Type | Capillary Length |
|-----------------|-----------------------------|------------------|-----------------|--------------------|------------------|
| TE-AAG-A0634-00 | 10k type III NTC thermistor | 6' | TE-AAG-C0634-00 | 3k NTC thermistor | 6' |
| TE-AAG-A1234-00 | 10k type III NTC thermistor | 12' | TE-AAG-C1234-00 | 3k NTC thermistor | 12' |
| TE-AAG-A2434-00 | 10k type III NTC thermistor | 24' | TE-AAG-C2434-00 | 3k NTC thermistor | 24' |
| TE-AAG-B0634-00 | 10k type II NTC thermistor | 6' | TE-AAG-F0634-00 | 20k NTC thermistor | 6' |
| TE-AAG-B1234-00 | 10k type II NTC thermistor | 12' | TE-AAG-F1234-00 | 20k NTC thermistor | 12' |
| TE-AAG-B2434-00 | 10k type II NTC thermistor | 24' | TE-AAG-F2434-00 | 20k NTC thermistor | 24' |

AVERAGING TEMPERATURE SENSOR CLIPS

| Model | Color | Sensor Diameter Size |
|--------|---------|----------------------|
| CC1-N | Natural | 3/8", 1/4", or 1/8" |
| CC1-GY | Grey | 3/8", 1/4", or 1/8" |

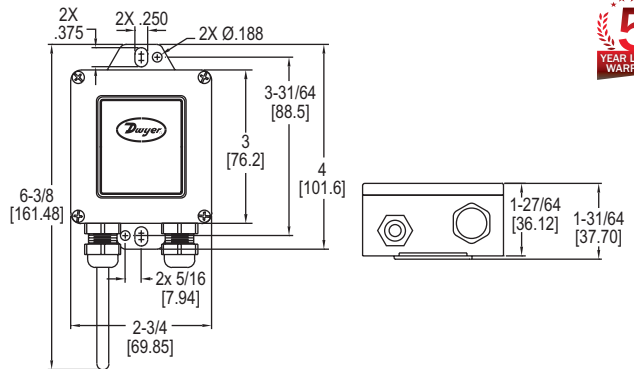
Note: Sold individually

1 Resistance vs. Temperature Table: See page 148 (Series TE-OND/RND/OSA)

SERIES O-4

OUTSIDE AIR TEMPERATURE SENSOR

NEMA 4X, Removable Terminal Block



The **Series O-4 Outside Air Temperature Sensor** is great for monitoring ambient air temperatures in outdoor applications. The temperature sensors are mounted in a NEMA 4X enclosure with integral mounting tabs.

FEATURES/BENEFITS

- NEMA 4X weatherproof housing
- Surface or suspension mount

APPLICATIONS

- Agricultural house ventilation
- HVAC and building automation

MODEL CHART

| Model | Sensor Type | Model | Sensor Type |
|-------|----------------------------------|-------|-------------------------|
| O-4A | 10k Ω type III thermistor | O-4D | Pt100 Ω RTD |
| O-4B | 10k Ω type II thermistor | O-4E | Pt1000 Ω RTD |
| O-4C | 3k Ω thermistor | O-4F | 20k Ω thermistor |

SPECIFICATIONS

Accuracy: Thermistor temperature sensor: $\pm 0.22^{\circ}\text{C}$ @ 25°C ($\pm 0.4^{\circ}\text{F}$ @ 77°F); RTD temperature sensor: DIN class B: $\pm 0.3^{\circ}\text{C}$ @ 0°C ($\pm 0.54^{\circ}\text{F}$ @ 32°F).
Operating Temperature: -40 to 250°F.
Probe Diameter: 0.235" (5.97 mm).
Probe Length: 3.5".
Probe Material: 304 SS.
Mounting: Suspension or surface.
Enclosure Rating: NEMA 4X (IP66).
Weight: 3 oz (85 g).
Agency Approvals: Meets the technical requirements of EU Directive 2011/65/EU (RoHS II).