

## CN20, CN34 SERIES

### NON-SPRING RETURN DIRECT-COUPLED DAMPER ACTUATORS FOR FLOATING / 2-POSITION CONTROL

#### PRODUCT DATA



#### GENERAL

These direct-coupled damper actuators provide two-position and floating control for:

- air dampers,
- VAV units,
- air handlers,
- ventilation flaps,
- louvers, and
- reliable control for air damper applications with up to 4.6 m<sup>2</sup> / 50 sq.ft. (20 Nm / 177 lb-in) or 7.8 m<sup>2</sup> / 85 sq. ft. (34 Nm / 300 lb-in) (seal-less dampers; air friction-dependent).

#### FEATURES

- **Self-centering shaft adapter**
- **Access cover to facilitate connectivity**
- **Service/off for safe & easy servicing**
- **Rotation direction selectable by switch**
- **Declutch for manual adjustment**
- **Mechanical end limits**
- **Field-installable auxiliary switches**
- **Mountable in any orientation (no IP54 if upside down)**
- **Mechanical position indicator**
- **CE and UL certified (230V models with CE only)**

#### SPECIFICATIONS

##### Supply voltage

|               |                          |
|---------------|--------------------------|
| CN6120/CN6134 | 24 Vac/dc ±15%, 50/60 Hz |
| CN4620/CN4634 | 230 Vac ±15%, 50/60 Hz   |

##### Nominal voltage

|               |                     |
|---------------|---------------------|
| CN6120/CN6134 | 24 Vac/dc, 50/60 Hz |
| CN4620/CN4634 | 230 Vac, 50/60 Hz   |

**All values stated hereinafter apply to operation under nominal voltage conditions.**

##### Power consumption

|        |             |
|--------|-------------|
| CN6120 | 6 VA / 3 W  |
| CN4620 | 8 VA / 3 W  |
| CN6134 | 6 VA / 3 W  |
| CN4634 | 10 VA / 4 W |

##### Ambient limits

|                          |                              |
|--------------------------|------------------------------|
| Ambient operating limits | -20...+60 °C (-5...+140 °F)  |
| Ambient storage limits   | -40...+80 °C (-40...+175 °F) |
| Relative humidity        | 5...95%, non-condensing      |

##### Safety

|                      |                      |
|----------------------|----------------------|
| Protection standard  | IP54 as per EN 60529 |
| Protection class     | II as per EN 60730-1 |
| Overvoltage category | III                  |

##### Lifetime

|              |             |
|--------------|-------------|
| Full strokes | 60000       |
| Repositions  | 1.5 million |

##### Mounting

|                     |   |
|---------------------|---|
| Round damper shaft  | 10...27 mm (3/8...1-1/16")              |
| Square damper shaft | 10...18 mm (3/8...11/16");<br>45° steps |
| Shaft length        | min. 22 mm (7/8")                       |

##### End switches (when included)

|                   |                                   |
|-------------------|-----------------------------------|
| Rating            | 5 A (resistive) / 3 A (inductive) |
| Triggering points | 5° / 85°                          |

##### Torque rating

|                 |                   |
|-----------------|-------------------|
| CN6120 / CN4620 | 20 Nm (177 lb-in) |
| CN6134 / CN4634 | 34 Nm (300 lb-in) |

##### Runtime

95 sec (60 Hz) / 110 sec (50 Hz or DC supply)

Rotation stroke 95° ± 3°

##### Dimensions

see "Dimensions" on page 6

Weight (without cables) 1.35 kg (3 lbs.)

##### Noise rating

40 dBA max. at 1 m

##### Certification

|    |                                    |
|----|------------------------------------|
| CE | CN6120 / CN6134<br>CN4620 / CN4634 |
| UL | CN6120 / CN6134                    |

## MODELS

| Model #     | Description   |
|-------------|---|
| CN6120A1002 | 20Nm,24Vac/Vdc, Floating/2-position control, Non-Spring Return, No feedback and without aux. Switch |
| CN4620A1001 | 20Nm,230V,Floating/2-position control, Non-Spring Return, No feedback and without aux. Switch       |
| CN6134A1003 | 34Nm,24Vac/Vdc, Floating/2-position control, Non-Spring Return, No feedback and without aux. Switch |
| CN4634A1001 | 34Nm,230Vac, Floating control/2-position, Non-Spring Return, No feedback and without aux. Switch    |

## Product Identification System

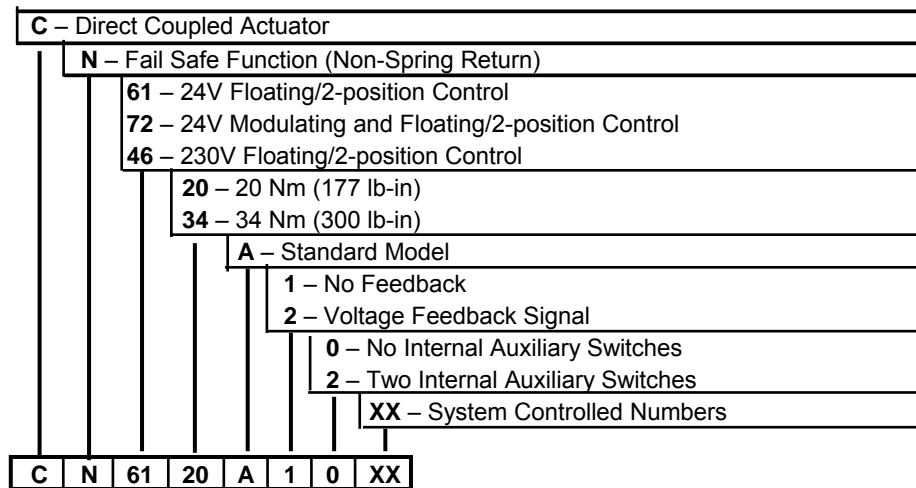
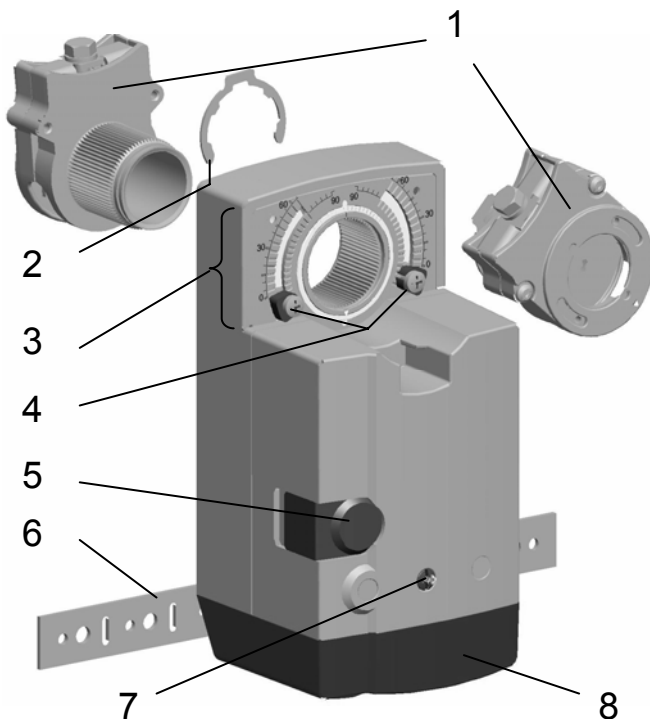


Fig. 1. Product Identification System

## OPERATION / FUNCTIONS



### Legend for Fig. 2:

- 1 Self-centering shaft adapter
- 2 Retainer clip
- 3 Rotational angle scales (0...90° / 90...0°)
- 4 Mechanical end limits
- 5 Declutch button
- 6 Anti-rotation bracket
- 7 Function selection switch
- 8 Access cover

### Contents of Package

The delivery package includes the actuator itself, parts 1 through 8 (see Fig.2), the anti-rotation bracket screws, and installation instruction.

### RUN MODES

The function selection switch (see Fig. 3) can be used to place the actuator into any one of three different modes:

- Dir, floating/2-position control, cw run.
- Service/Off, actuator stop running.
- Rev, floating/2-position control, ccw run.

Fig. 2. Setting units and control elements



Fig. 3. Function selection switch

### Power-Off Behavior

If power is removed, the actuator retains its position.

### Service/Off

If the function selection switch is set to the "Service/Off" position, all rotary movement is cancelled, and all control signals are ignored, thus allowing the actuator to be safely manually operated.

### Floating/2-Position Run Mode

If the function selection switch has been set to one of the two floating/2-position control settings (Dir or Rev) and the actuator is wired correspondingly (see A1 and A2) as soon as the operating power is applied, the actuator will run according to the power applied

Table 1 describes the behavior (stops, rotates CCW, or rotates CW) of the CN6120/CN6134 in relation to the control signals (switch "open" or "24Vac/dc") applied to terminals 3 and 4, the function selection switch setting, and the manner in which the actuator is wired (either for floating mode: see A1, or for 2-position mode: see A2).

Table 1. Behavior of CN6120/CN6134

| Wiring | Control signal at |          | Function selection switch |             |       |
|--------|-------------------|----------|---------------------------|-------------|-------|
|        | term. 3           | term. 4  | Dir                       | Service/Off | Rev   |
| Float. | open              | open     | stops                     | stops       | stops |
|        | open              | 24Vac/dc | CCW                       | stops       | CW    |
|        | 24Vac/dc          | open     | CW                        | stops       | CCW   |
| 2-pos. | 24Vac/dc          | open     | CW                        | stops       | CCW   |
|        | 24Vac/dc          | 24Vac/dc | CCW                       | stops       | CW    |

Table 2 shows the same actuator behavior as Table 1, but for CN4620/CN4634 (230Vac models).

Table 2. Behavior of CN4620/CN4634

| Wiring | Control signal at |         | Function selection switch |             |       |
|--------|-------------------|---------|---------------------------|-------------|-------|
|        | term. 3           | term. 4 | Dir                       | Service/Off | Rev   |
| Float. | open              | open    | stops                     | stops       | stops |
|        | open              | 230Vac  | CCW                       | stops       | CW    |
|        | 230Vac            | open    | CW                        | stops       | CCW   |
| 2-pos. | 230Vac            | open    | CW                        | stops       | CCW   |
|        | 230Vac            | 230Vac  | CCW                       | stops       | CW    |

### Sleep Mode

When actuator reaches end stop or any obstacles blocking its running, it will fall into sleep mode automatically. Actuator will

periodically start up and try to resume running, which will save energy significantly through whole service life.

### Position Indication

The hub adapter indicates the rotation angle position by means of the rotational angle scales (0...90° / 90...0°) provided in the actuator plate (see Fig. 4).

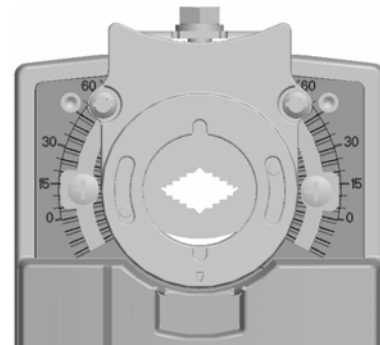


Fig. 4. Position indication

### Manual Adjustment

#### ! IMPORTANT

To prevent equipment damage, you must remove power or set the rotation direction switch to the "Service/Off" position before manual adjustment.

After removing power or setting the rotation direction switch to the "Service/Off" position, the gear train can be disengaged using the declutch button, permitting the actuator shaft to be manually rotated to any position.

### Limitation of Rotation Stroke

Two adjustable mechanical end limits (adjustable in 5° increments) are provided to limit the angle of rotation as desired (see Fig. 5).

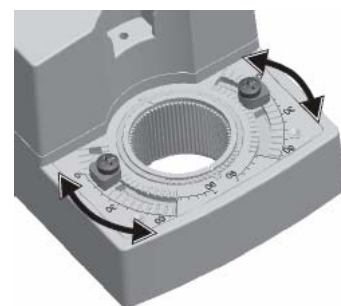


Fig. 5. Mechanical end limits

The mechanical end limits must be securely fastened in place. It is important that they properly mesh with the rotational angle scales when the screws are tightened.

### Internal End Switches

**NOTE:** Applicable to models with internal switches only.

The internal end switches are set to switch from "common" to "normally open" at angles of 5° and 85°, respectively, from the totally counterclockwise position.

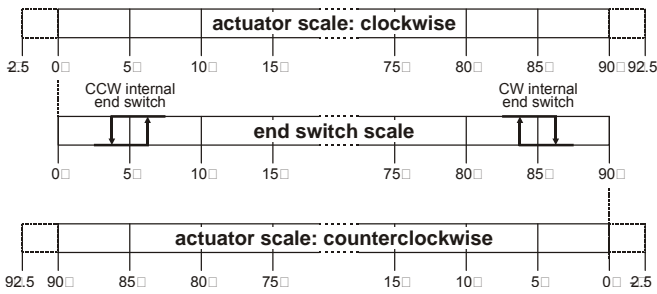


Fig. 6. Internal end switch triggering points

## INSTALLATION

These actuators are designed for single-point mounting.

### ! IMPORTANT

In order to prevent equipment damage, you must remove power or set the rotation direction switch to the "Service/Off" position before manual operation.

## Mounting Instructions

All information and steps are included in the installation instructions supplied with the actuator.

## Mounting Position

The actuators can be mounted in any position (no IP54 if mounted upside down; see Fig. 7). Choose a mounting position permitting easy access to the actuator's cables and controls.

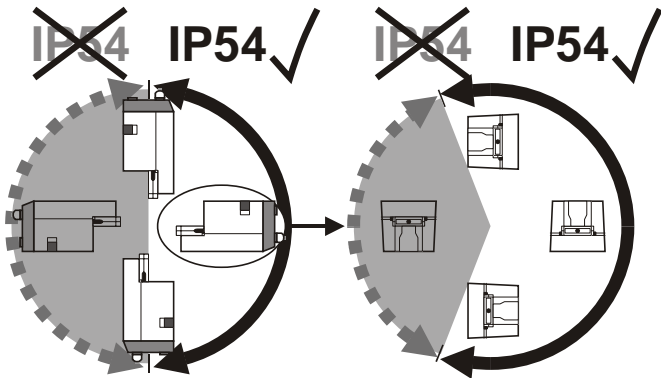


Fig. 7. Mounting for IP54

## Mounting Bracket and Screws

If the actuator is to be mounted directly on a damper shaft, use the mounting bracket and screws included in the delivery package.

## Self-Centering Shaft Adapter

The self-centering shaft adapter can be used for shafts having various diameters (10...27 mm [3/8...1-1/16"]) and shapes (square or round).

In the case of short shafts, the shaft adapter may be reversed and mounted on the duct side.

## Stroke Limitation with Mechanical End Limits

The mechanical end limits enable the stroke to be limited from 0...90° in increments of 5°.

## Wiring

### Connecting to the Power Supply

In order to comply with protection class II, the power source of 24 V actuators must be reliably separated from the network power supply circuits as per DIN VDE 0106, part 101.

### Access Cover

To facilitate wiring the actuator to the controller, the access cover can be detached from the actuator.

### ! IMPORTANT

Remove power before detaching the access cover. Once the access cover has been removed, please take care to avoid damaging any of the parts now accessible.

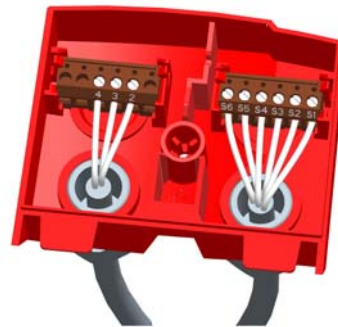


Fig. 8. Access cover (models with internal switches)

Depending upon the model, the access cover may have one or two terminal strips, including a layout with a description for each of the terminals.

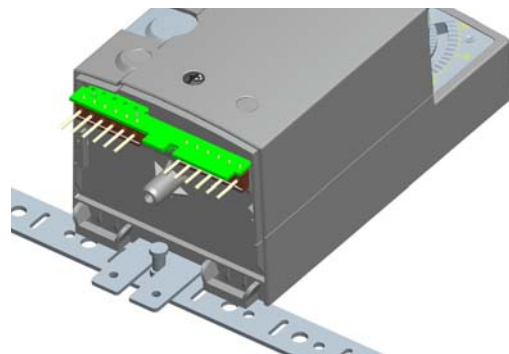
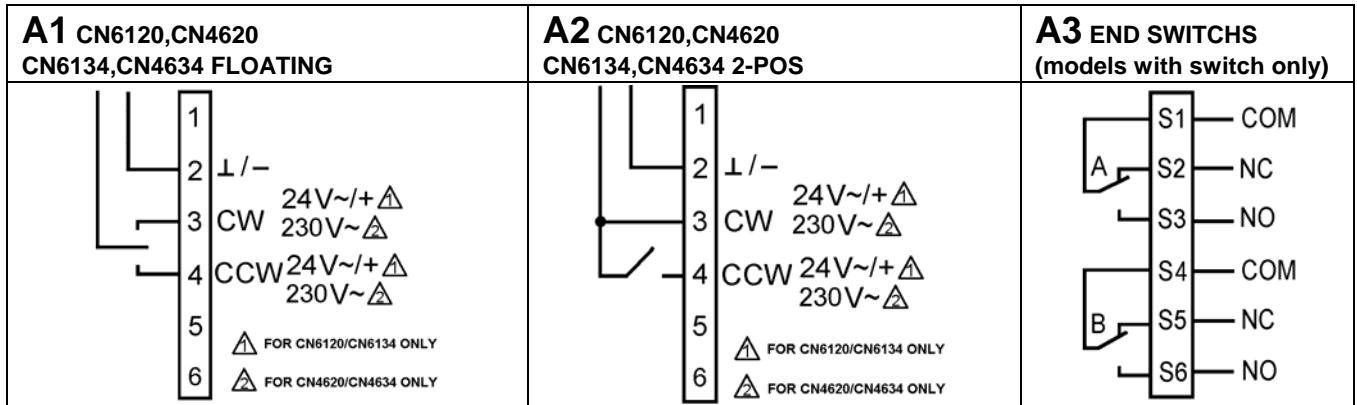


Fig. 9. Actuator with access cover removed (models with internal switches)

Wiring diagrams



**NOTE:** Internal end switches S1 and S4 must be connected to the same power source. Below 2 tables summarize the information presented in the preceding wiring diagrams.

| Models  | Terminal | Wiring                     |                        |
|---|----------|----------------------------|------------------------|
|   |          | Floating                   | 2-position             |
| CN6120,CN6134<br>supply and signal lines<br>(must be equipped with spark suppressors) | 2        | common +/-                 | common +/-             |
|   | 3        | 24V ~/+ (clockwise)        | 24V ~/+                |
|   | 4        | 24V ~/+ (counterclockwise) | 24V ~/+ control signal |
| CN4620,CN4634<br>supply and signal lines<br>(must be equipped with spark suppressors) | 2        | common +/-                 | common +/-             |
|   | 3        | 230Vac (clockwise)         | 230Vac                 |
|   | 4        | 230Vac (counterclockwise)  | 230Vac control signal  |

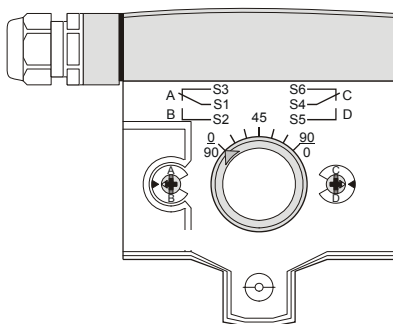
| Connecting cable  |                | Terminal | Description     |
|---|----------------|----------|-----------------|
| end switches<br>(models with internal<br>switches only) | CCW (left) 5°  | S1       | common          |
|   |                | S2       | normally closed |
|   |                | S3       | normally open   |
|   | CW (right) 85° | S4       | common          |
|   |                | S5       | normally closed |
|   |                | S6       | normally open   |

**OPTIONAL ACCESSORIES**

The following optional accessories can be ordered separately.

**Auxiliary Switch Kit**

Order no.: SW2



The auxiliary switches are field-installable parts providing two SPDT freely-adjustable switches.

**SPARE PARTS**

**Spare Parts Kit**

Order no.: A7209.2071

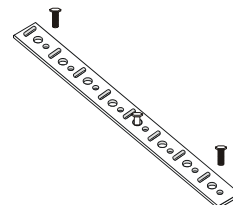
The spare parts kit contains the following items:

- Anti-rotation bracket and screws
- Access cover screw
- Plastic protective cap for protection standard IP54
- Mechanical end limit screw and retainer

**Anti-Rotation Bracket Kit**

Order no.: A7209.2073

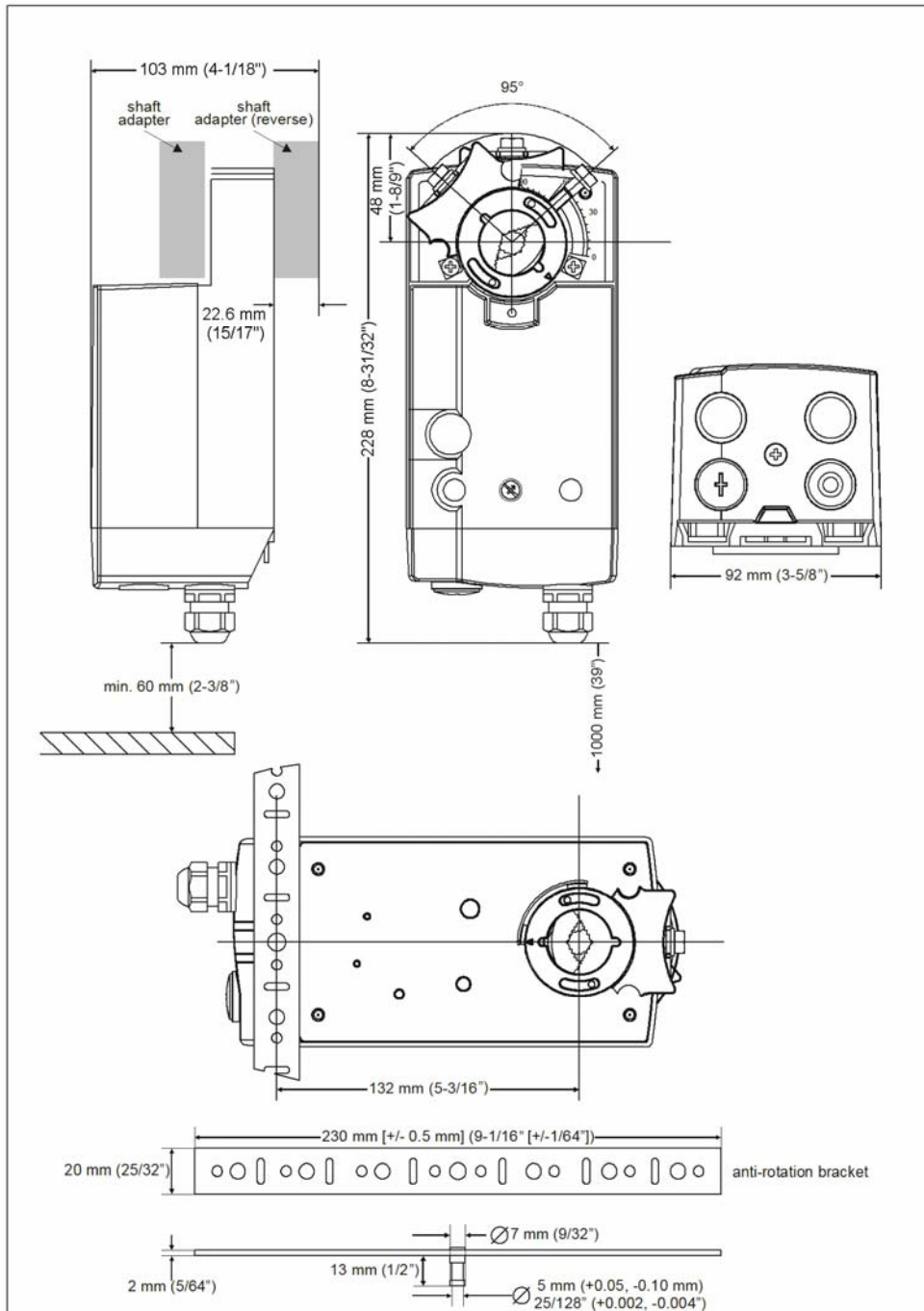
The anti-rotation bracket kit can be ordered separately.



Contains:

- 10 anti-rotation brackets
- 20 screws

## DIMENSIONS



**Honeywell**

Manufactured for and on behalf of the Environmental and Combustion Controls Division of Honeywell Technologies Sàrl, Ecublens, Route du Bois 37, Switzerland by its Authorized Representative:

**Automation and Control Solutions**

Honeywell International Inc.  
1985 Douglas Drive North  
Golden Valley, MN 55422

Honeywell (Tianjin) Limited  
66, BaiHe Road, TEDA  
Tianjin, 300457, P.R.C.