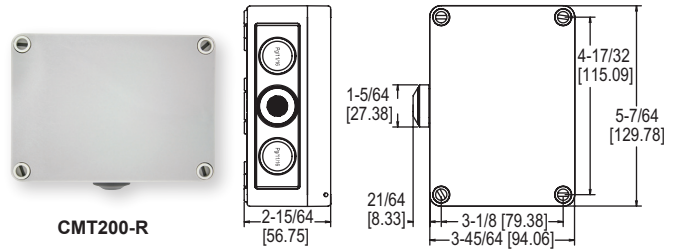
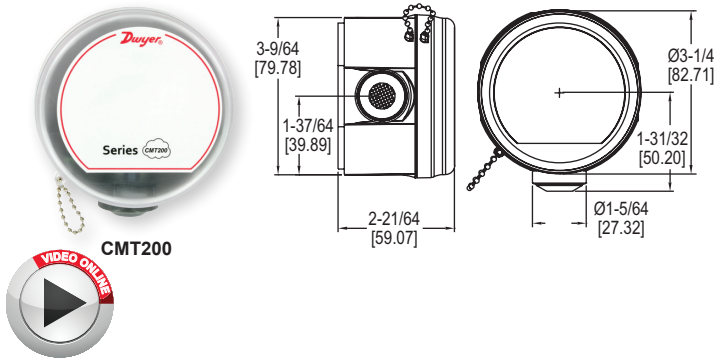


CARBON MONOXIDE TRANSMITTERS

Current/Voltage Selectable Output, 200 PPM Range



The Series CMT200 Carbon Monoxide Transmitters provides a field selectable current or voltage output that is proportional to the gas concentration in underground parking garages, vehicle maintenance facilities, or mechanical rooms.

FEATURES/BENEFITS

- Field selectable current or voltage outputs
- Replaceable sensor
- Field calibration kits

APPLICATIONS

- Garage ventilation
- Mechanical room monitoring

MODEL CHART	
Model	Description
CMT200	Carbon monoxide transmitter
CMT200-R	Carbon monoxide transmitter with rugged housing

ACCESSORIES	
Model	Description
GCK-200CO-2000CO2	Calibration gas
A-505	Replacement Carbon Monoxide Sensor
A-507A	Calibration adaptor

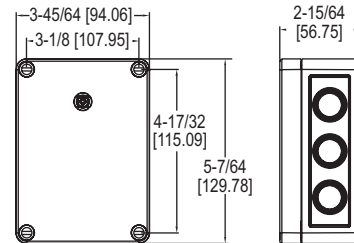
SPECIFICATIONS

Sensor: Field replaceable electrochemical, 4 year typical lifespan.
Range: 0 to 200 ppm.
Coverage Area: 5000 to 7000 sq. ft. typical.
Accuracy: ±2% FS at the time of calibration.
Output Drift: <5% per year in air.
Temperature Limits: -4 to 122°F (-20 to 50°C).
Storage Temperature: For best sensor life, 32 to 68°F (0 to 20°C).
Humidity Limits: 15 to 90% RH constant; 0 to 99% RH intermittent.
Response Time: <45 s to 90% of final value.
Calibration: 15 turn span and zero adjustment potentiometers.
Housing: UV resistant polycarbonate.
Output: Jumper selectable 4-20 mA (loop powered) or 2-10 V (load must be >50 KΩ).
Power Requirements: Current Output: 18-28 VDC; Voltage Output: 18-28 VDC/VAC, reverse polarity protected.
Electrical Connection: Removable terminal block, includes two PG11 and one PG 16 knockouts for conduit fitting.
Weight: 0.28 lb (0.11 kg).
Agency Approvals: CE.

SERIES CMS300

CARBON MONOXIDE TRANSMITTER AND SWITCH

Current/Voltage Selectable Output, Jumper Selectable SPDT Relay Contact



The Series CMS300 Carbon Monoxide Transmitter and Switch provides a field selectable current or voltage output that is proportional to the carbon monoxide concentration in underground parking garages, vehicle maintenance facilities, or mechanical rooms. An integral relay can be used for alarm conditions and is configured with preset jumper selectable ranges of 25, 60, or 150 PPM. Field calibration can be done by using Model GCK-200CO-2000CO2 calibration gas, Model A-507 calibration adaptor, and the on board zero and span potentiometers.

FEATURES/BENEFITS

- Field selectable current or voltage analog outputs
- Integral SPDT relay contact for low or high alarm
- Jumper selectable alarm set points of 25, 60, or 150 PPM
- UL recognized carbon monoxide sensing element
- Field calibration kits

APPLICATIONS

- Garage or loading dock ventilation
- Vehicle maintenance facilities
- Mechanical room monitoring

SPECIFICATIONS

Sensor: Electrochemical, 5 years typical lifespan.
Range: 0-300 PPM.
Output Drift: <5% per year in air.
Temperature Effect: ±2% over range.
Coverage Area: 7,500 ft² (700 m²) or 50 ft (15 m) radius.
Accuracy: ±5 PPM or 5% of reading for 0-300 PPM (whichever is greater).
Resolution: 1 PPM.
Temperature Range: -4 to 122°F (-20 to 50°C).
Storage Temperature: For best sensor life, 32°F to 68°F (0 to 20°C).
Humidity Range: 15-90% RH constant; 0-99% RH intermittent.
Response Time: <45 seconds to 90% of final value.
Calibration: 15 turn span and zero adjustment potentiometers.
Housing: UV resistant glass filled polycarbonate.
Analog Output: Jumper selectable 4-20 mA (loop powered) or 2-10 V (max. load 2K Ω).
Enclosure Rating: IP64.
Weight: 1 lb (0.45 kg).
Switch Type: Single-pole double-throw (SPDT).
Electrical Rating: 30 VAC/VDC. N/O = 5 A. N/C = 3 A.
Set Point: Jumper selectable 25, 60, or 150 PPM.
Set Point Differential/Hysteresis: 3% of scale.
Relay Action: Factory set for direct acting.
Agency Approvals: Sensor is UL recognized component for ANSI/UL-2034, UL-2075, E340403, CE.

MODEL CHART	
Model	Description
CMS300	Carbon monoxide transmitter and switch

ACCESSORIES	
Model	Description
GCK-200CO-2000CO2	Calibration gas
A-507	Calibration adaptor